

Heavy Duty Pipe Clamp Fire/Sprinkler EG, 60-65 mm 2" Pipe, DN50, M8, M10 Rod

???

HDN065



??



??

Fillet welded connector nut has flats to accommodate spanners

????

???: 577009

????: ?

?: ?

?: ???

?? (OD): 60 - 65 mm

????: 2" Min

NB/DN: 50

?? (RS): M8;M10

?? (W): 30 mm

?? (T): 2.5 mm

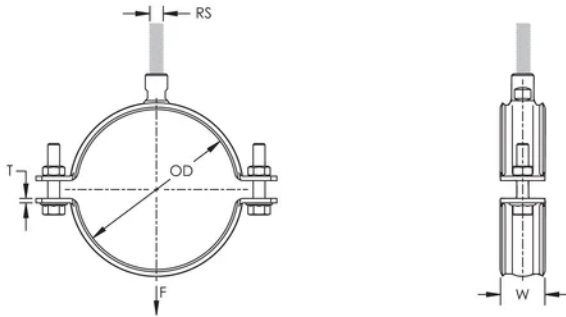
???? (Sc): 6 mm

???????? (Sc): M6

???? (L): 30mm

????: 2000N

?



??

???? nVent ?????????????????? nVent ??????? www.nvent.com ?????????????? nVent ?? nVent
 ???

??
 +1.800.753.9221
 ?? 1 ?????
 ?? 2 ?????

??
 ???
 +31 800-0200135
 ???
 +33 800 901 793

??
 ???
 800 1890272
 ?????/???
 +31 13 5835404

????
 ???
 + 86 21 2412 1618/19
 ???
 +61 2 9751 8500



??????????:

CADDY ERICO HOFFMAN ILSCO SCHROFF TRACHTE

