

Heavy Duty Pipe Clamp Fire/Sprinkler EG 76-81mm 2 1/2" Pipe DN65 M10 M12 Rod

???

HDN081



??



??

Fillet welded connector nut has flats to accommodate spanners

????

???: 577011

????: ?

?: ?

?: ???

?? (OD): 76 - 81 mm

????: 2 1/2"

NB/DN: 65

?? (RS): M10;M12

?? (W): 30 mm

?? (T): 3 mm

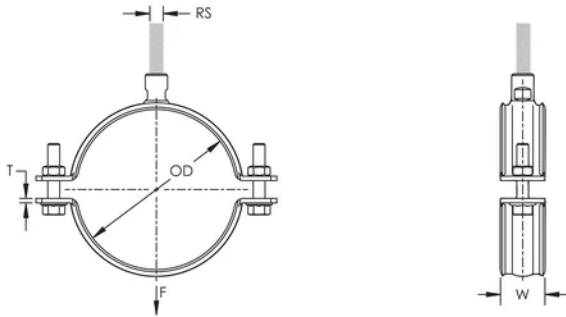
???? (Sc): 8 mm

???????? (Sc): M8

???? (L): 40mm

????: 3500N

?



??

???? nVent ?????????????????? nVent ??????? www.nvent.com ?????????????? nVent ?????????????????????????????????????????? nVent
 ?????????????????????????????????????????????????????????????????????????????????????????????????????????????????????????????????????

??
 +1.800.753.9221
 ?? 1 ?????
 ?? 2 ?????

??
 ???
 +31 800-0200135
 ???
 +33 800 901 793

??
 ???
 800 1890272
 ?????/???
 +31 13 5835404

????
 ???
 + 86 21 2412 1618/19
 ???
 +61 2 9751 8500



?????????:
 CADDY ERICO HOFFMAN ILSCO SCHROFF TRACHTE

