

# Heavy Duty Pipe Clamp Fire/Sprinkler EG 167-173mm 6" Pipe DN150, M12 M16 Rod

???

## HDN173



??



??

Fillet welded connector nut has flats to accommodate spanners

????

???: 577023

????: ?

?: ?

?: ???

?? (OD): 167 - 173 mm

????: 6"

NB/DN: 150

?? (RS): M12;M16

?? (W): 40 mm

?? (T): 4 mm

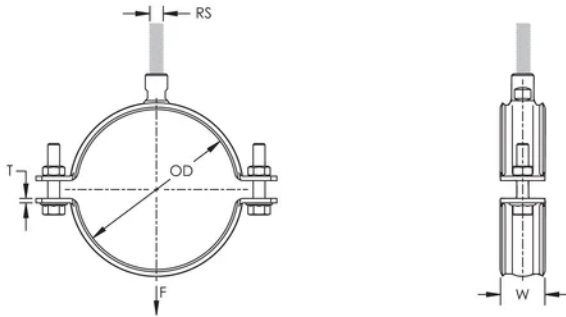
???? (Sc): 10 mm

???????? (Sc): M10

???? (L): 40mm

????: 5000N

?



??

???? nVent ?????????????????? nVent ??????? www.nvent.com ?????????????? nVent ?? nVent  
 ???

??  
 +1.800.753.9221  
 ?? 1 ?????  
 ?? 2 ?????

??  
 ???  
 +31 800-0200135  
 ???  
 +33 800 901 793

??  
 ???  
 800 1890272  
 ?????/???  
 +31 13 5835404

????  
 ???  
 + 86 21 2412 1618/19  
 ???  
 +61 2 9751 8500



??????????:

CADDY ERICO HOFFMAN ILSCO SCHROFF TRACHTE

