

HD NI Heavy Duty Pipe Clamp, Fire/Sprinkler, EG, 219-226 mm OD, 8" Pipe, 200 DN, M12, M16 Rod

???

HDN226



??



??

Fillet welded connector nut has flats to accommodate spanners

????

???: 577028

????: ?

?: ?

?: ???

?? (OD): 219 - 226 mm

????: 8"

NB/DN: 200

?? (RS): M12;M16

?? (W): 40 mm

?? (T): 4 mm

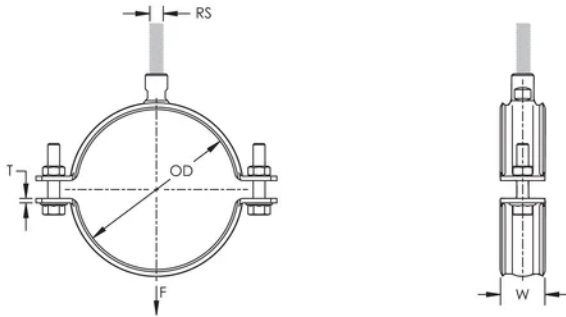
???? (Sc): 10 mm

???????? (Sc): M10

???? (L): 40mm

????: 8500N

?



??

???? nVent ?????????????????? nVent ??????? www.nvent.com ?????????????? nVent ?? nVent
 ???

??
 +1.800.753.9221
 ?? 1 ?????
 ?? 2 ?????

??
 ???
 +31 800-0200135
 ???
 +33 800 901 793

??
 ???
 800 1890272
 ?????/???
 +31 13 5835404

????
 ???
 + 86 21 2412 1618/19
 ???
 +61 2 9751 8500



??????????:

CADDY ERICO HOFFMAN ILSCO SCHROFF TRACHTE

