

HD NI Heavy Duty Pipe Clamp, Fire/Sprinkler, EG, 227-236 mm OD, M16, M20 Rod

???

HDN236



??



??

Fillet welded connector nut has flats to accommodate spanners

????

???: 577029

????: ?

?: ?

?: ???

?? (OD): 227 - 236 mm

??? (RS): M16;M20

?? (W): 40 mm

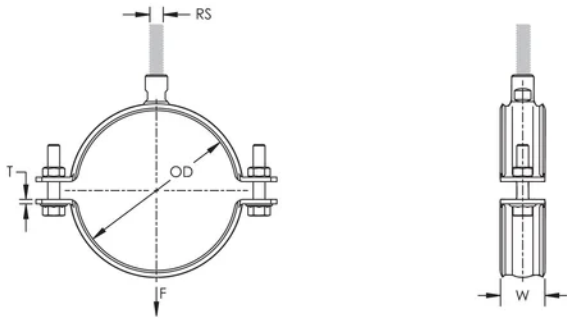
?? (T): 4 mm

???? (Sc): 12 mm

???????? (Sc): M12

???? (L): 40mm

?



??

???? nVent ?????????????????? nVent ??????? www.nvent.com ?????????????? nVent ?????????????????????????????????????? nVent
 ???

??
 +1.800.753.9221
 ?? 1 ??????
 ?? 2 ??????

??
 ???
 +31 800-0200135
 ???
 +33 800 901 793

??
 ???
 800 1890272
 ???/???
 +31 13 5835404

????
 ???
 + 86 21 2412 1618/19
 ???
 +61 2 9751 8500



?????????:
 CADDY ERICO HOFFMAN ILSCO SCHROFF TRACHTE

