

# Universal Structural Bracket



This code-compliant Structural Attachment is part of the nVent CADDY line of innovative rigid bracing system, designed to provide superior performance and meet the highest seismic load requirements. Its versatile design allows quick and easy installation directly to concrete, wood, bar joist or I-beam adapters and is compatible with 1” through 2” brace pipes. Its snap-off bolt makes inspection of seismic sway braces simple.

## 认证



FM Approved, Seismic

## 功能

Universal design allows one product to attach directly to concrete, wood, bar joist or I-beam adapters

Integrated angle gauge easily displays brace member angle of installation

Snap-off bolt head helps enable easy installation and inspection of seismic sway braces

Works with 1" through 2" (25,4mm through 50,8mm) brace pipes to reduce inventory

Low profile minimizes prying effect on concrete fasteners

Meets NFPA® 13 as pre-qualified for seismic applications

FM Approved with the following brace members: Type A Solid Strut (12 gauge or thicker) and 1-2 in Sch40/EN 10255H Pipe

FM Specification Tested with the following brace members: Type A Solid Strut (12 gauge or thicker), 1-2 in Sch40/EN 10255H Pipe, 1 in EMT Conduit, and 1 in Rigid Conduit

## 技术参数

材料: 钢

Table 1/2

物料号	完成	孔尺寸 (HS)	宽度 (W)	厚度 (T)	A	B
CSBU2N	电镀锌	20.6 mm	49 mm	5 mm	52 mm	33 mm
CSBU1N	电镀锌	13 mm	49 mm	5 mm	52 mm	33 mm
CSBU58HDN	热浸镀锌	17 mm	49 mm	5 mm	52 mm	33 mm
CSBU2HDN	热浸镀锌	21 mm	49 mm	5 mm	52 mm	33 mm
CSBU58N	电镀锌	17.5 mm	49 mm	5 mm	52 mm	33 mm
CSBU1HDN	热浸镀锌	14.3 mm	49 mm	5 mm	52 mm	33 mm

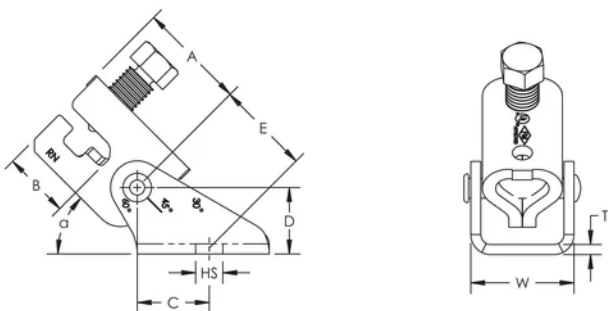
Table 2/2

物料号	C	D	E	UL 认证负载
CSBU2N	35 mm	32 mm	44 mm	8896N
CSBU1N	35 mm	32 mm	44 mm	8896N
CSBU58HDN	35 mm	32 mm	44 mm	8896N
CSBU2HDN	35 mm	32 mm	44 mm	8896N
CSBU58N	35 mm	32 mm	44 mm	8896N
CSBU1HDN	35 mm	32 mm	44 mm	8896N

## FM Loads

Part Number	Horizontal Capacity per Installation Angle from Vertical			
	30° - 44°	45° - 59°	60° - 74°	75° - 90°
CSBU1xxx	7510 N	9830 N	11830 N	13740 N
CSBU2xxx	6580 N	10180 N	12720 N	13740 N
CSBU58xxx	6580 N	9830 N	11830 N	13740 N

图



## 警告

应仅根据 nVent 的产品说明书与培训材料安装并使用 nVent 的产品。可访问 [www.nvent.com](http://www.nvent.com) 获取说明书，或者向您的 nVent 客服代表索取。错误安装、使用不当、滥用或未能完全遵守 nVent 的说明与警告，可能会造成产品故障、财产损失、严重的人身伤害及死亡和/或使得保修服务无效。

### 北美

+1.800.753.9221  
，按 1 转客户服务  
，按 2 转技术支持

### 欧洲

荷兰：  
+31 800-0200135  
法国：  
+33 800 901 793

### 欧洲

德国：  
800 1890272  
其他国家/地区：  
+31 13 5835404

### 亚太地区

上海：  
+ 86 21 2412 1618/19  
悉尼：  
+61 2 9751 8500



我们强大的品牌组合：

CADDY ERICO HOFFMAN ILSCO SCHROFF TRACHTE

