

ISO-TP  /  , 50 mm

Data Solutions

???

ISOTP50F8M8



??



??

- ???
- ?????
- ?????????????
- ??????
- ?? UL® ?? (E125470) ? 1,500 VAC/DC ????
- ????????????????????????????????(RoHS) ??

????

- ???: 542070
- ??: ?; ??????????
- ??: ???
- ????: ?40 to 130°C
- ????: 1000; 1500
- ????: UL® 94V-0
- ??: IEC® 60695-2-11????????? 960 °C?

?? (H): 50mm

???? (W): 50mm

?? (D): 57mm

?? (Ø): 41mm

???? 1 (TS1): M8

???? (TL): 17mm

???? 2 (TS2): M8

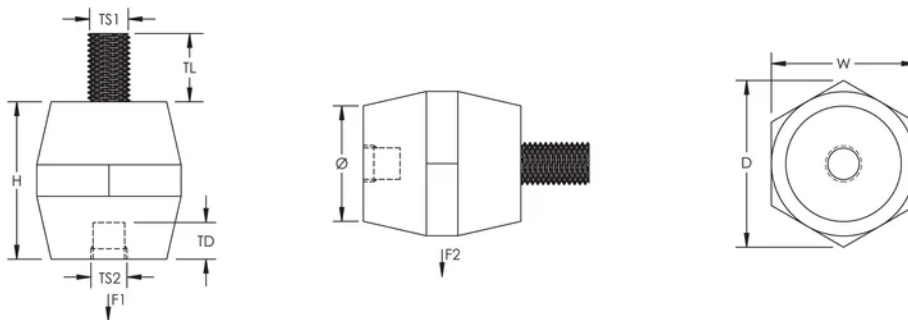
???? (TD): 15mm

???? 1 (F1): 20000daN

???? 2 (F2): 10000daN

????: 0.15kg

?



??

???? nVent ?????????????????? nVent ??????? www.nvent.com ?????????????? nVent ?????????????????????????????????????? nVent
??



????????????:

CADDY ERICO HOFFMAN ILSCO SCHROFF TRACHTE