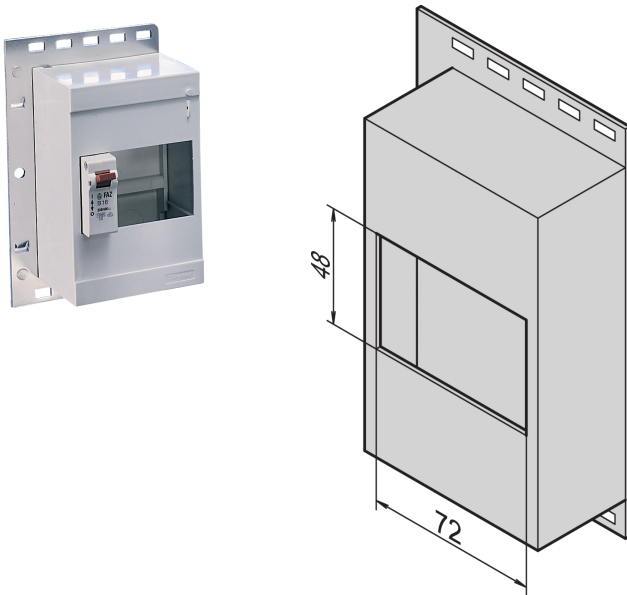




## Data Solutions

???

**20118-538**



???????

??



??

???? DIN ???????????? (DIN 43880)

????

????: ????

?: ????

Net Weight: 0.38kg

????: 1

??

??? nVent ?????????????? nVent ?????? www.nvent.com ?????????? nVent ?????????????????????????????????????? nVent  
??/?????????????



??????????:

CADDY ERICO HOFFMAN ILSCO SCHROFF TRACHTE