

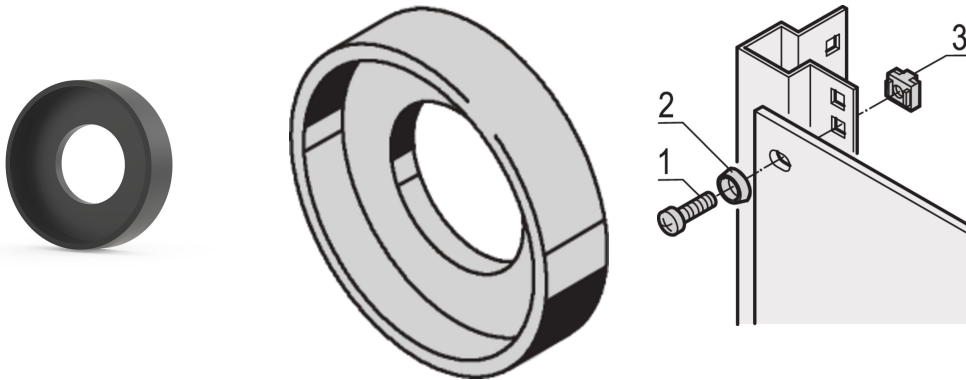


M6 100

Data Solutions

???

21100-016



???? PCB ????

??



??

??

????

?: ABS

????: 100

????: ????

????: RatiopacPRO; RatiopacPRO AIR; CompacPRO; PropacPRO; Comptec; Inpac; MultipacPRO

????: ??

?: ??

?: ???; Eurorack; Novastar; Varistar; Varistar CP

Net Weight: 0.02kg

??????

IEEE ?????? (3U/6U)

?????? 2 ?????? (3U/6U)

??

??? nVent ?????????????? nVent ?????? www.nvent.com ?????????? nVent ??? nVent
??



??????????:

CADDY ERICO HOFFMAN ILSCO SCHROFF TRACHTE