



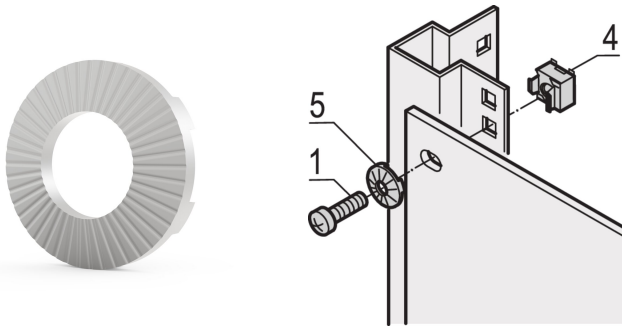
Nomel 

M6

Data Solutions

???

21101-173



??



??

Use with grounding/earthing nut on at least one attachment point for standard grounding/earthing

For mounting of front panels, distribution fields or other components on the frame, slide mounts or depth members with square cut-outs

????

?: ?

?: ??

????: 100

????: EuropacPRO; RatiopacPRO; RatiopacPRO AIR; CompacPRO; PropacPRO; Comptec; Inpac; MultipacPRO

????: ??

?: ???

?: Eurorack; Novastar; Varistar; Varistar CP

Net Weight: 0.07kg

??

??? nVent ?????????????? nVent ?????? www.nvent.com ?????????? nVent ?????????????????????????????????????? nVent
??/?????????????



??????????:

CADDY ERICO HOFFMAN ILSCO SCHROFF TRACHTE