

19

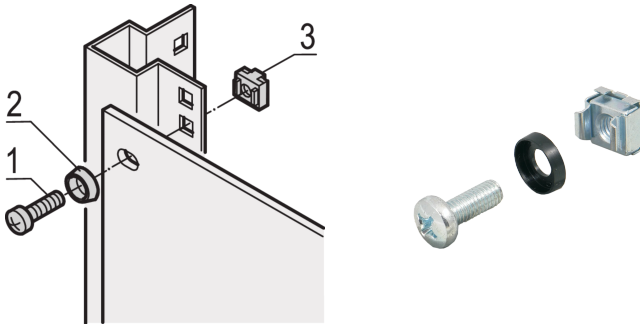
M6

100

## Data Solutions

???

**21101-810**



????????????????????????????????

? 19" ???? 19" ??????????????????????

??



??

?????? 19 ???????????

??????, ?????????, ?????????????????????

????

????: 100

????: M6

?: ??

?: ?; ABS

????: RatiopacPRO; RatiopacPRO AIR; CompacPRO; PropacPRO; Comptec; Inpac; MultipacPRO; Varistar CP; Novastar; Eurorack; ??

????: ????

?: ????

?: 19" ???; 19" ?????; 19" ???; 19" ????

Net Weight: 1.076kg

??

???? nVent ?????????????????? nVent ??????? www.nvent.com ??????????? nVent ?? nVent  
??



???????????:

CADDY ERICO HOFFMAN ILSCO SCHROFF TRACHTE