

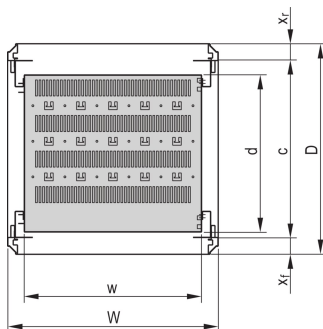
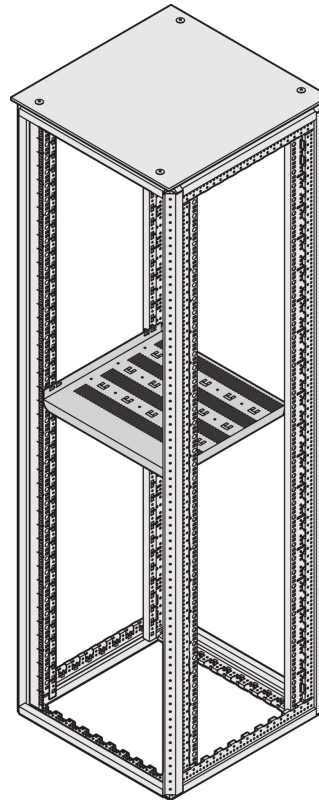
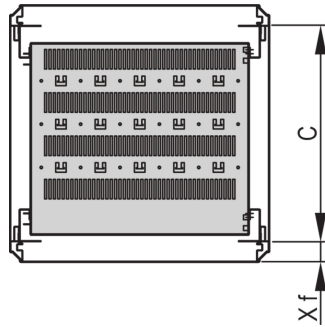
Varistar 19" 
RAL 7021  600W 600D

75 

Data Solutions

???

21130-303



Varistar 19" ???????75 kg?

??



??

?????? 75 ??

????1.5 mm

????

?? 495 mm

??????? 19" ??/??????

????

?: 495mm

?: 1

?: ??

?: RAL 7021

?: ????

?: 500mm

?: 442mm

?: ?

?: Varistar CP

?: ??

?: ??

Net Weight: 3.25kg

??

??? nVent ????????????????? nVent ?????? www.nvent.com ?????????? nVent ????????????????????????????????????? nVent
??/????????????



?????????:

CADDY ERICO HOFFMAN ILSCO SCHROFF TRACHTE