

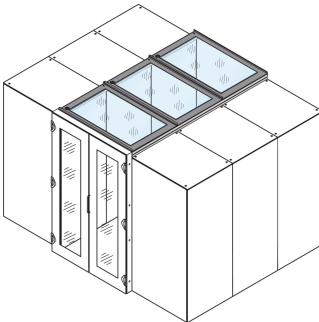
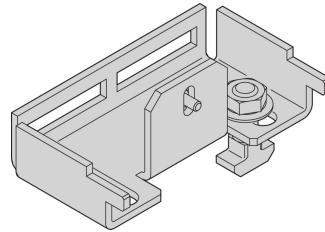
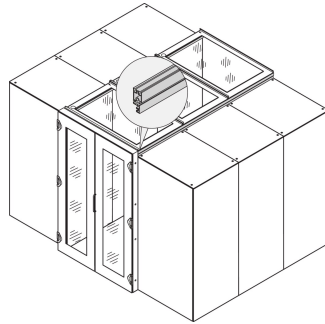
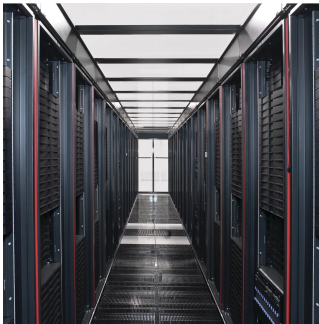


# 1200W 800D

## Data Solutions

???

**21130-589**



????????????????????

??



??

??????? 2 ?????

?????? 1200 mm

?????????????? 84 mm??????

????????????????????

????

?: ????

?: 800mm

?: 1200mm

?: ?; ??

????: 1

?: ???

????: RAL 7021

?: ????

????: ??

?: ????

Net Weight: 20.6kg

??

???? nVent ?????????????????? nVent ??????? www.nvent.com ?????????????? nVent ??? nVent  
??



???????????:

CADDY ERICO HOFFMAN ILSCO SCHROFF TRACHTE