

Varistar 

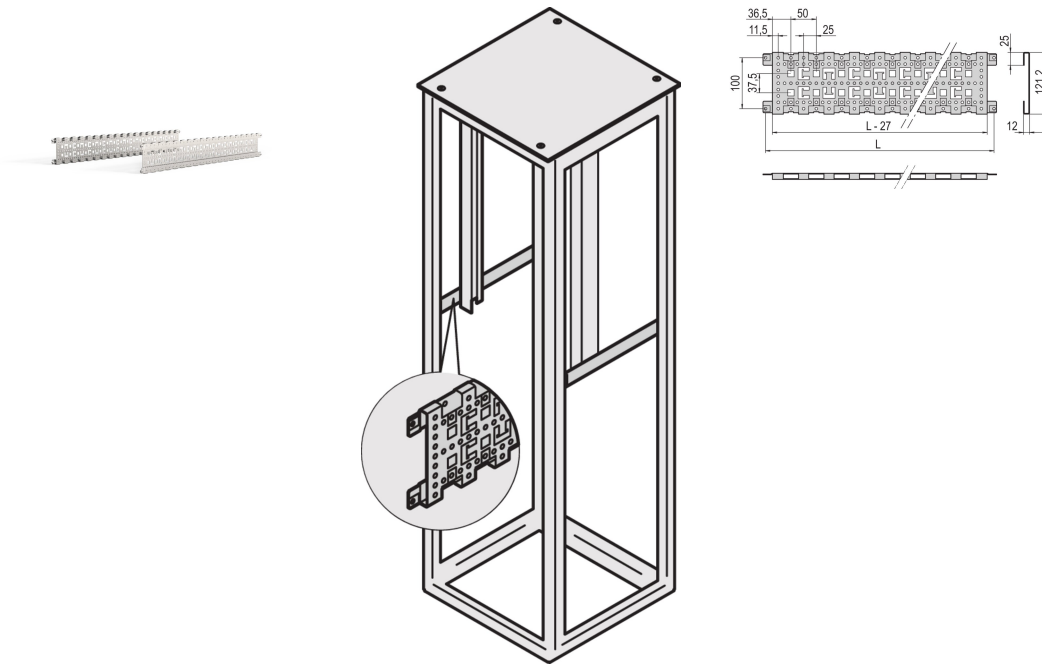

3 

1100D

Data Solutions

???

23130-364



????????????? Varistar ?????????????????????????????????

??



??

????????????????????, ????????

??, 1.5 mm, ?????

????

?: 110mm

?: 2

?: ?

?: 135mm

?: ?

?: Varistar CP

?: ?

?: 3U

?: Varistar CP

?: ?

Gross Weight: 3kg

??

?? nVent ????????????????? nVent ??????? www.nvent.com ??????????? nVent ??? nVent
??



?????????:
CADDY ERICO HOFFMAN ILSCO SCHROFF TRACHTE