

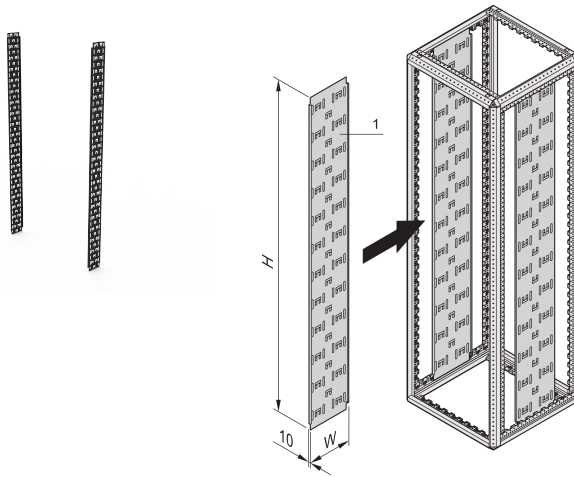
Varistar

2000H 150W

Data Solutions

???

23130-421



????????? Varistar ?????????????????????

??



??

?????????

?????????????????

????

????: 42U

?: 2000mm

?: 150mm

?: 150mm

????: 2

?: ???

????: RAL 7021

?: ????

?: ?

????: Varistar CP

????: ??/????

?: ????

Net Weight: 5.94kg

??

???? nVent ?????????????????? nVent ??????? www.nvent.com ??????????? nVent ??? nVent
??



???????????:

CADDY ERICO HOFFMAN ILSCO SCHROFF TRACHTE