

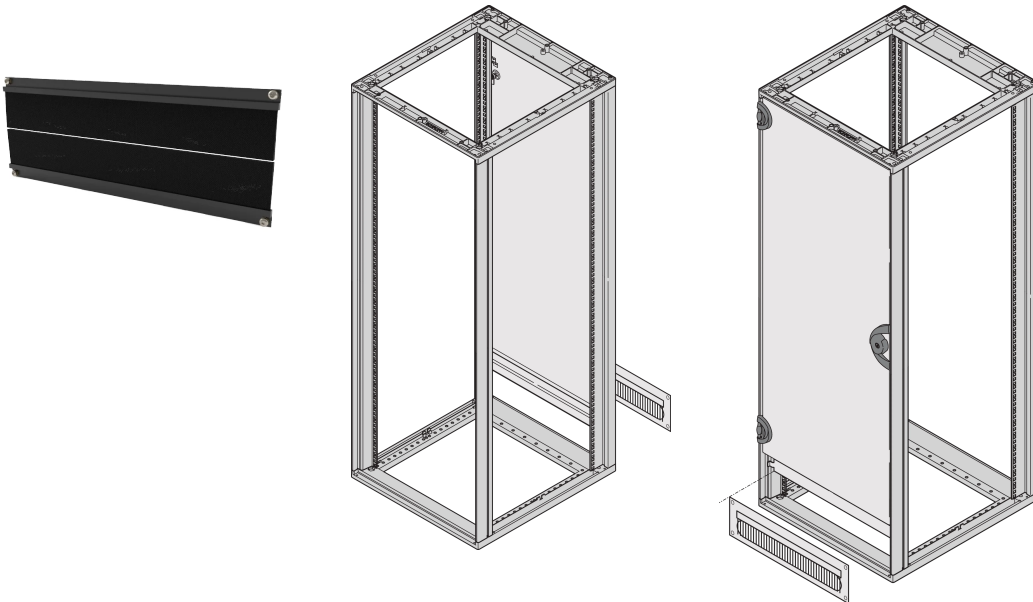
19 

3U 

Data Solutions

???

27230-161



????????????????????????????????

??



??

???? 1 U

??????

With Black brush strips

????

????: 4U

?: ???

????: 1

?: ????

?: 179.1mm

?: ?

????: ??

Net Weight: 0.43kg

??????

???? 19" ????

??

??? nVent ?????????????? nVent ?????? www.nvent.com ?????????? nVent ????????????????????????????????????????? nVent
????????????????????????????????????????????????????????????/????????????



?????????:

CADDY ERICO HOFFMAN ILSCO SCHROFF TRACHTE