

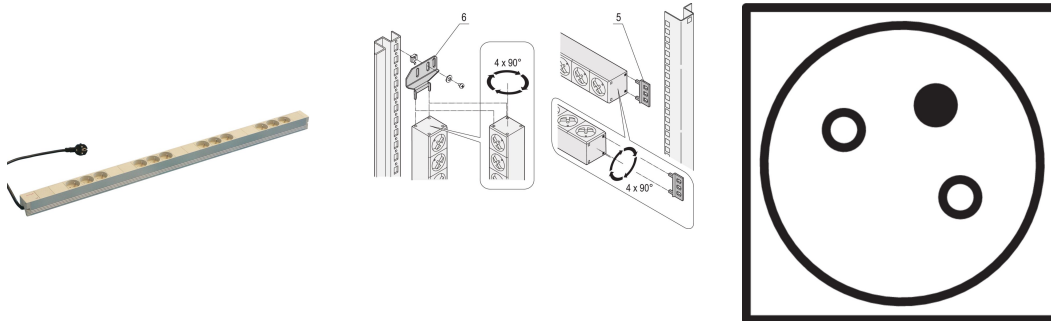
UTE

12

Data Solutions

???

60110-222



??????? PDU?????????PDU ?? 1 U x 1 U ???????????? UTE ????????

??



??

?? NFC 61-303 ??

? UTE ???????

???? 1 U

????????

???? 2 ?, ? SCHUKO/UTE ??

????????????????????90°???

230 V, 16 A

????

????: UTE

????: 12

????: ?

????: 230V

????: 1

?: ?

?: 44mm

?: ????

?: 947.5mm

?: ?; ???

????: ??

Net Weight: 1.681kg

??????

????????????

??

???? nVent ????????????????? nVent ??????? www.nvent.com ????????????? nVent ????????????????????????????????? nVent
??/????????????



??????????:

CADDY ERICO HOFFMAN ILSCO SCHROFF TRACHTE