

UTE

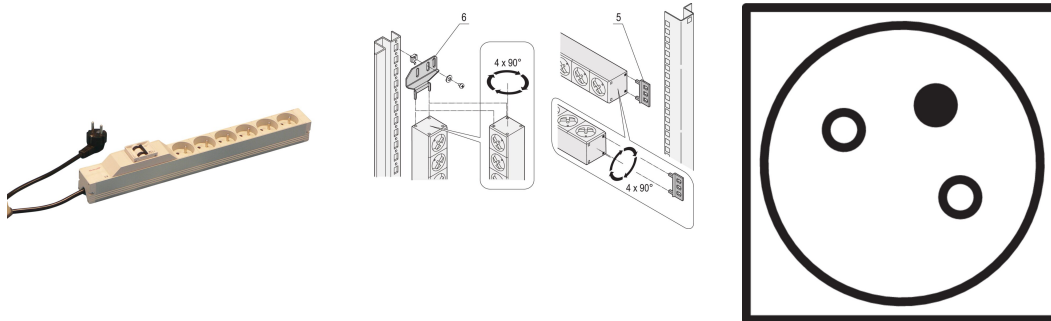
6

19"

Data Solutions

???

60110-228



??????? PDU????????PDU ?? 1 U x 1 U ?????????? UTE ???????

??



??

?? NFC 61-303 ??

? UTE ??????

???? 1 U

???????

???? 2 ?, ? SCHUKO/UTE ??

????????????????90°???

230 V, 16 A

????

????: UTE

????: 6

????: ?

????: 230V

??: ????

????: 1

?: ??

?: 75mm

?: ????

?: 438.5mm

?: ?; ???

????: ??

Net Weight: 1.12kg

??????

????????????

??

???? nVent ????????????????? nVent ??????? www.nvent.com ????????????? nVent ??? nVent
??



??????????:

CADDY ERICO HOFFMAN ILSCO SCHROFF TRACHTE