

UTE

6

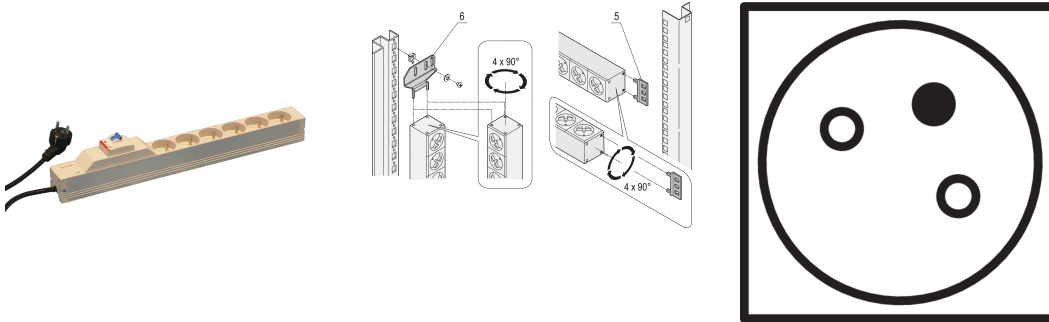
19"



## Data Solutions

???

**60110-230**



??????? PDU????????PDU ?? 1 U x 1 U ???????????? UTE ????????

??



??

?? NFC 61-303 ??

? UTE ???????

???? 1 U

????????

???? 2 ?, ? SCHUKO/UTE ??

????????????????????90°???

230 V, 16 A

????

?????: UTE

?????: 6

????: ?

????: 230V

?: ??????

????: 1

?: ??

?: 88mm

?: ????

?: 438.5mm

?: ?; ???

????: ??

Net Weight: 1.14kg

???????

?????????????

??

???? nVent ?????????????????? nVent ??????? www.nvent.com ??????????? nVent ??? nVent  
??/?????????????



???????????:

CADDY ERICO HOFFMAN ILSCO SCHROFF TRACHTE