

UTE

6

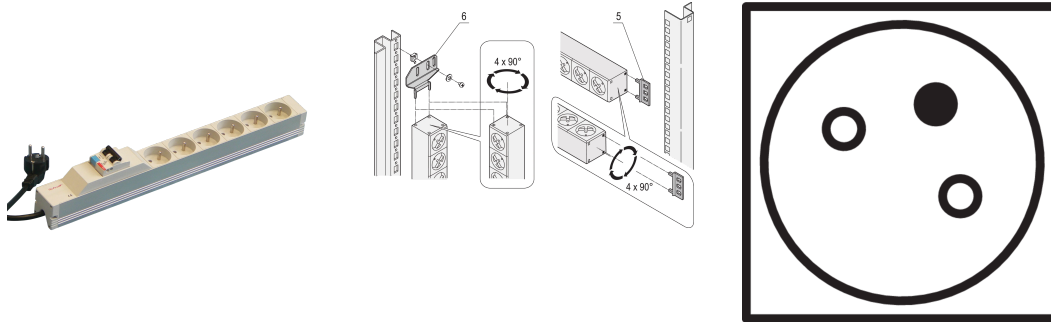
19"



Data Solutions

???

60110-231



?????? PDU????????PDU ?? 1 U x 1 U ??????????? UTE ???????

??



??

?? NFC 61-303 ??

? UTE ???????

???? 1 U

????????

???? 2 ?, ? SCHUKO/UTE ??

????????????????90°???

230 V, 16 A

????

????: UTE

????: 6

????: ?

????: 230V

?: ?????; ????

????: 1

?: ??

?: 88mm

?: ????

?: 438.5mm

?: ?; ???

????: ??

Net Weight: 1.18kg

??????

????????????

??

???? nVent ?????????????? nVent ?????? www.nvent.com ?????????? nVent ?????????????????????????????? nVent
??



??????????:

CADDY ERICO HOFFMAN ILSCO SCHROFF TRACHTE