



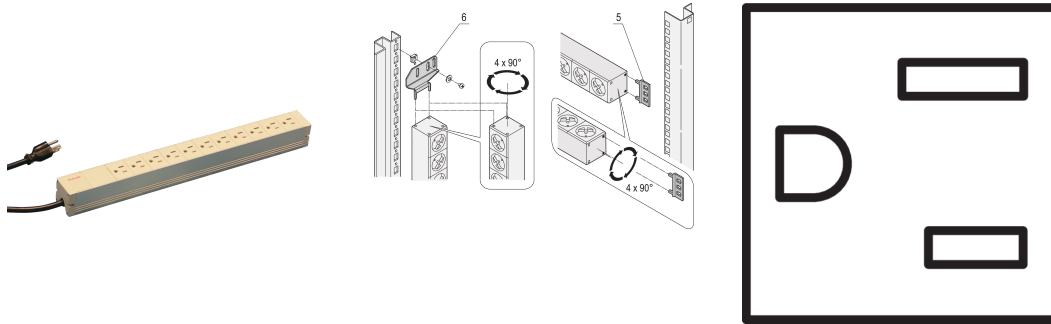
USA 11

19"

Data Solutions

???

60110-240



?????? PDU?????????? 1 U x 1 U ???PDU ???????????????????

??



??

???????

????????????????????90°???

???? 2 ?, ?????

?????????

???? 1 U

?? UL-498 ??

115 V, 15 A

????

????: ??

????: 11

????: ?

????: 115V

????: 1

?: ?

?: 44mm

?: ????

?: 438.5mm

?: ?; ???

????: ??

Gross Weight: 0.944kg

??????

????????????

??

???? nVent ????????????????? nVent ??????? www.nvent.com ??????????? nVent ????????????????????????????????? nVent
??/????????????



??????????:

CADDY ERICO HOFFMAN ILSCO SCHROFF TRACHTE