



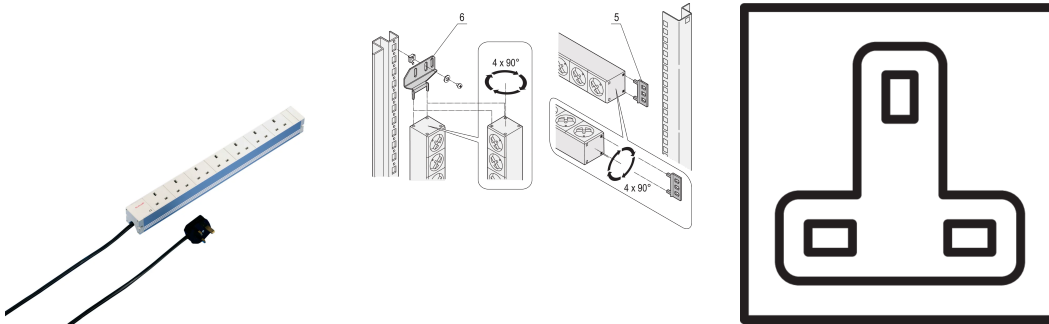
BS 6

19"

Data Solutions

???

60110-245



?????? PDU??????PDU ?? 1 U x 1 U ???????????????????

??



??

??????

????????????????90°???

?? BS 1363

???? 1 U

???? 2 ???????????????????

??????????????

230 V, 13 A

????

????: ??

????: 6

????: ?

????: 230V

????: 1

?: ?

?: 44mm

?: ????

?: 438.5mm

?: ?; ???

????: ??

Gross Weight: 0.893kg

??????

????????????

??

???? nVent ????????????????? nVent ??????? www.nvent.com ??????????? nVent ????????????????????????????????????? nVent
??/????????????



??????????:

CADDY ERICO HOFFMAN ILSCO SCHROFF TRACHTE