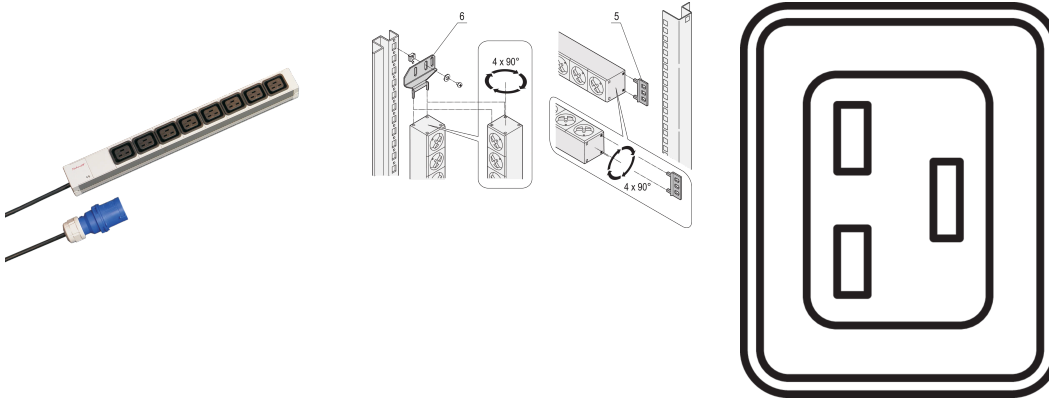


**IEC C19 16 A IEC 60309**  
**8x IEC C19 19**

Data Solutions

???

**60110-280**



?????? PDU????????PDU ?? 1 U x 1 U ??????????? IEC C19 ???????

??



??

?? IEC C19 ??????

????????????????90°???

???? 2 ?, ??? IEC 60309 ???????

???? 1 U

????1 U

????

????: IEC C19

????: 8

????: ?

????: 230V

????: 1

?: ??

?: 44mm

?: ????

?: 44mm

?: 438.5mm

?: ?; ???

????: ??

Gross Weight: 0.997kg

??????

????????????

??

???? nVent ????????????????? nVent ?????? www.nvent.com ?????????? nVent ??? nVent  
??/????????????



??????????:

CADDY ERICO HOFFMAN ILSCO SCHROFF TRACHTE