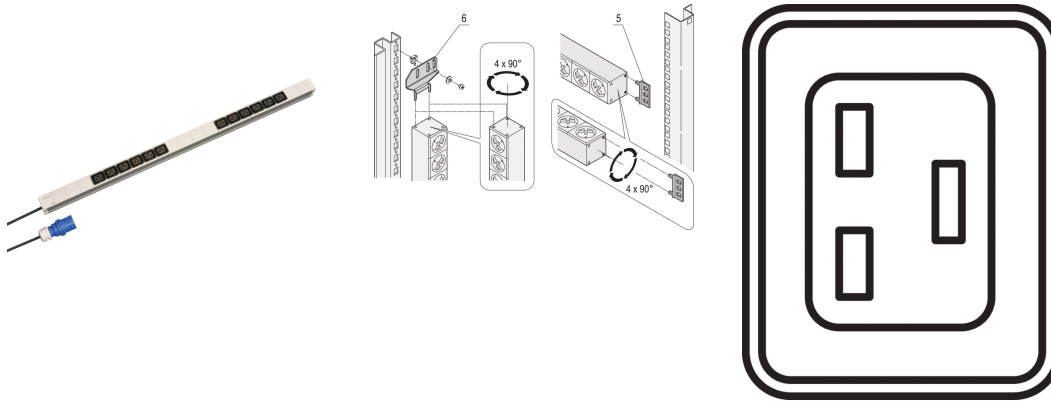


IEC C19 16 A IEC 60309  
12x IEC C19

Data Solutions

???

60110-282



?????? PDU????????PDU ?? 1 U x 1 U ??????????? IEC C19 ???????

??



??

?? IEC C19 ??????

????????????????90°???

???? 2 ?, ??? IEC 60309 ???????

???? 1 U

????1 U

????

????: IEC C19

????: 12

????: ?

????: 230V

????: 1

?: ??

?: 44mm

?: ????

?: 44mm

?: 947.5mm

?: ?; ???

????: ??

Net Weight: 1.93kg

??????

????????????

??

???? nVent ????????????????? nVent ?????? www.nvent.com ?????????? nVent ????????????????????????????????? nVent  
??/????????????



??????????:

CADDY ERICO HOFFMAN ILSCO SCHROFF TRACHTE