

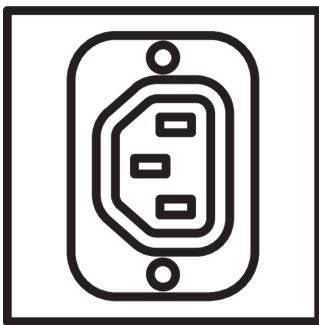
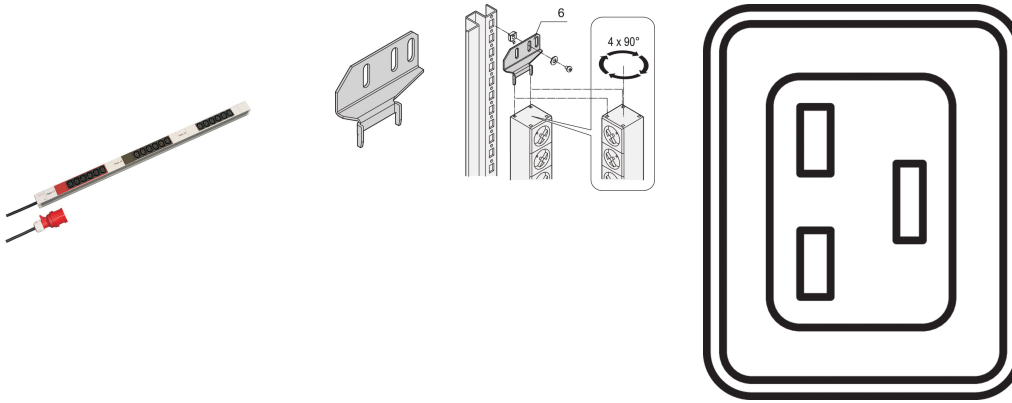

IEC 3 16 A IEC 60309

18 x IEC C13

Data Solutions

???

60110-283



?????? PDU?????????Using a 1 U by 1 U aluminum chassis the PDU can easily be integrated in a rack with IEC C13 and C19 outlets with 3 phase input.

??



??

??IEC60320????

????

????????????????90°???

???? 2 ?

???? 1 U

????1 U

????

????: IEC C13

????: 18

????: ?

????: 400V

????: 1

?: ??; ??; ??

?: 44mm

?: ????

?: 44mm

?: 947.5mm

?: ?; ???

????: ??

Net Weight: 2.24kg

??????

????????????

??

???? nVent ????????????????? nVent ??????? www.nvent.com ????????????? nVent ????????????????????????????????????? nVent
??/????????????



??????????:

CADDY ERICO HOFFMAN ILSCO SCHROFF TRACHTE