



Swiss 9 x



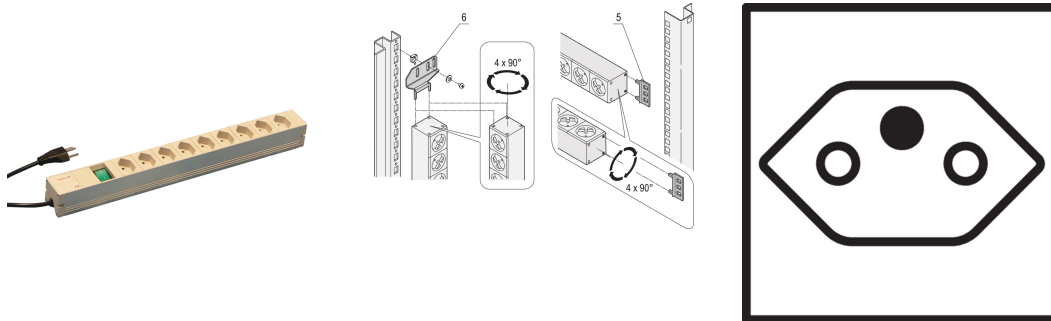
19"



Data Solutions

???

60110-454



?????? PDU?????????? 1 U x 1 U ???PDU ???????????????????

??



??

????????????????????90°???

?? SEV.IEC 60884 ??

???? 2 ???????????

??????

???? 1 U

????????

230 V, 10 A

????

????: ??

????: 9

????: ?

????: 230V

????: 1

?: ?

?: 44mm

?: ????

?: 438.5mm

?: ?; ???

????: ??

Net Weight: 0.89kg

??????

????????????

??

???? nVent ????????????????? nVent ??????? www.nvent.com ??????????? nVent ????????????????????????????????????? nVent
??/????????????



??????????:

CADDY ERICO HOFFMAN ILSCO SCHROFF TRACHTE