

Universal Sway Brace

Data Solutions



The nVent CADDY Universal Sway Brace is an innovative, versatile solution providing seismic bracing for suspended pipes. Featuring a unique slotted hole pattern for easy slip-on installation, installers can eliminate the risk and inconvenience of loose hardware, making it an ideal choice for ensuring safety and compliance on the job.

??



??

Used for both lateral and longitudinal sway brace applications

Snap-off bolt head helps enable easy installation and inspection

Works with 1" to 2" (25,4mm to 50,8mm) brace pipes to reduce inventory

Works with 12 gauge or thicker Type A solid strut as brace member

Meets NFPA®-13 and CEN/TS 1755:2021 requirements for seismic sway bracing

FM Approved with the following brace members: Type A Solid Strut (12 gauge or thicker) and 1-2 in Sch40/EN 10255H Pipe

FM Specification Tested with the following brace members: Type A Solid Strut (12 gauge or thicker) and 1-2 in Sch40/EN 10255H Pipe

????

□□ : □

Table 1/2

□□□	□□□	□□	□□□□□□	□□	NB/DN	□□ NB/DN
CSB0100N		□□□	25.4mm		25	25 - 50mm

CSB	CSB	CSB	CSB	CSB	NB/DN	CSB NB/DN
CSB0100HDN		CSB			25	25 - 50mm
CSB0125N		CSB	31.75mm		32	25 - 50mm
CSB0400HDN		CSB			100	25 - 50mm
CSB0400N		CSB	101.6mm	101.6mm	100	25 - 50mm
CSB0125HDN		CSB			32	25 - 50mm
CSB0150HDN		CSB			40	25 - 50mm
CSB0150N		CSB	38.1mm	38.1mm	40	25 - 50mm
CSB0200HDN		CSB			50	25 - 50mm
CSB0200N		CSB	50.8mm	50.8mm	50	25 - 50mm
CSB0250N		CSB	63.5mm	63.5mm	65	25 - 50mm
CSB0250HDN		CSB			65	25 - 50mm
CSB0300HDN		CSB			80	25 - 50mm
CSB1000N		CSB	254mm	254mm	250	25 - 50mm
CSB0300N		CSB	76.2mm	76.2mm	80	25 - 50mm
CSB1200	404551	CSB	304.8mm	304.8mm	300	25 - 50mm
CSB0500N		CSB			125	25 - 50mm
CSB1000HDN		CSB			250	25 - 50mm
CSB1200N		CSB	304.8mm	304.8mm	300	25 - 50mm
CSB1200HDN		CSB	304.8mm	304.8mm	300	25 - 50mm

Table 2/2

CSB	CSB	CSB	CSB	CSB	NB/DN	CSB NB/DN
CSB0500HDN		CSB			125	25 - 50mm
CSB0800HDN		CSB			200	25 - 50mm
CSB0800N		CSB	203.2mm	203.2mm	200	25 - 50mm
CSB0600HDN		CSB			150	25 - 50mm
CSB0600N		CSB	152.4mm		150	25 - 50mm

Table 1/2

CSB	CSB	CSB (W)	A	B	C	D
CSB0100N		38mm	91mm	33mm	16mm	126mm
CSB0100HDN		38mm	91mm	33mm	16mm	126mm
CSB0125N		38mm	91mm	33mm	18mm	140mm
CSB0400HDN		38mm	91mm	33mm	26mm	216mm
CSB0400N		38mm	91mm	33mm	26mm	216mm

CSB	CSB	CSB (W)	A	B	C	D
CSB0125HDN		38mm	91mm	33mm	18mm	140mm
CSB0150HDN		38mm	91mm	33mm	19mm	136mm
CSB0150N		38mm	91mm	33mm	19mm	136mm
CSB0200HDN		38mm	91mm	33mm	21mm	151mm
CSB0200N		38mm	91mm	33mm	21mm	151mm
CSB0250N		38mm	91mm	33mm	24mm	171mm
CSB0250HDN		38mm	91mm	33mm	24mm	171mm
CSB0300HDN		38mm	91mm	33mm	25mm	187mm
CSB1000N		38mm	91mm	33mm	25mm	386mm
CSB0300N		38mm	91mm	33mm	25mm	187mm
CSB1200	404551	38mm	91mm	33mm	25mm	429mm
CSB0500N		38mm	91mm	33mm	25mm	255mm
CSB1000HDN		38mm	91mm	33mm	25mm	386mm
CSB1200N		38mm	91mm	33mm	25mm	429mm
CSB1200HDN		38mm	91mm	33mm	25mm	429mm

Table 2/2

CSB	CSB	CSB (W)	A	B	C	D
CSB0500HDN		38mm	91mm	33mm	25mm	255mm
CSB0800HDN		38mm	91mm	33mm	31mm	331mm
CSB0800N		38mm	91mm	33mm	31mm	331mm
CSB0600HDN		38mm	91mm	33mm	29mm	275mm
CSB0600N		38mm	91mm	33mm	29mm	275mm

Table 1/2

CSB	CSB	CSB
CSB0100N		FM Approved, Seismic, AON Fire Protection, Seismic Bracing Components
CSB0100HDN		AON Fire Protection, Seismic Bracing Components, FM Approved, Seismic
CSB0125N		AON Fire Protection, Seismic Bracing Components, FM Approved, Seismic
CSB0400HDN		AON Fire Protection, Seismic Bracing Components, FM Approved, Seismic

CSB	CSB	CSB
CSB0400N		AON Fire Protection, Seismic Bracing Components, FM Approved, Seismic
CSB0125HDN		FM Approved, Seismic, AON Fire Protection, Seismic Bracing Components
CSB0150HDN		FM Approved, Seismic, AON Fire Protection, Seismic Bracing Components
CSB0150N		FM Approved, Seismic, AON Fire Protection, Seismic Bracing Components
CSB0200HDN		AON Fire Protection, Seismic Bracing Components, FM Approved, Seismic
CSB0200N		AON Fire Protection, Seismic Bracing Components, FM Approved, Seismic
CSB0250N		AON Fire Protection, Seismic Bracing Components, FM Approved, Seismic
CSB0250HDN		FM Approved, Seismic, AON Fire Protection, Seismic Bracing Components
CSB0300HDN		FM Approved, Seismic, AON Fire Protection, Seismic Bracing Components
CSB1000N		FM Approved, Seismic, AON Fire Protection, Seismic Bracing Components
CSB0300N		FM Approved, Seismic, AON Fire Protection, Seismic Bracing Components
CSB1200	404551	AON Fire Protection, Seismic Bracing Components, FM Approved, Seismic, OSHPD/HCAI
CSB0500N		AON Fire Protection, Seismic Bracing Components, FM Approved, Seismic
CSB1000HDN		FM Approved, Seismic, AON Fire Protection, Seismic Bracing Components

□□□	□□□	□□
CSB1200N		AON Fire Protection, Seismic Bracing Components, FM Approved, Seismic
CSB1200HDN		FM Approved, Seismic, AON Fire Protection, Seismic Bracing Components

Table 2/2

□□□	□□□	□□
CSB0500HDN		AON Fire Protection, Seismic Bracing Components, FM Approved, Seismic
CSB0800HDN		AON Fire Protection, Seismic Bracing Components, FM Approved, Seismic
CSB0800N		AON Fire Protection, Seismic Bracing Components, FM Approved, Seismic
CSB0600HDN		AON Fire Protection, Seismic Bracing Components, FM Approved, Seismic
CSB0600N		AON Fire Protection, Seismic Bracing Components, FM Approved, Seismic

??????

FM® Specification Tested for 1-1/2 in to 4 in pipe sizes using no hub cast iron pipe.

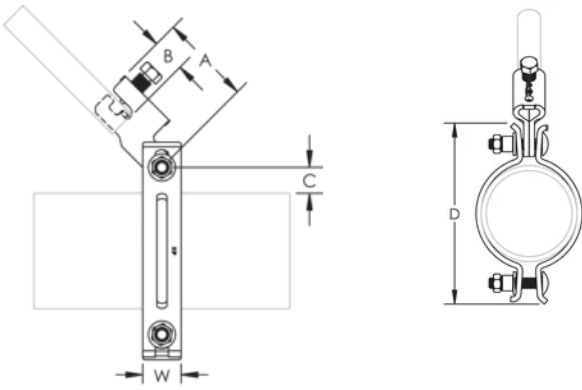
Load ratings for Sch 10 may also be applied to AS 1074 Medium, GB/T 3091, EN 10255 (Medium or Heavy), and JIS G3452 pipe.

Load ratings for Sch 40 may also be applied to AS 1074 Heavy, GB/T 3091, EN 10255 (Heavy), and JIS G3454 pipe.

Load ratings for FM approved lightwall may also be applied to AS 1074 Lightwall, EN 10255 L, EN 10220, and GB/T 8163 pipe.

FM Approved with 12 gauge or thicker Type A solid strut as brace member

?



??

??? nVent ?????????????? nVent ?????? www.nvent.com ?????????? nVent ?????????????????????????????????????? nVent
 ?????????????????????????????????????????????????????????????????????????????????????????????????????????????????????????????????



?????????:
 CADDY ERICO HOFFMAN ILSCO SCHROFF TRACHTE