

??



??

????????????????????

????????????????

????

□□ : □□
 □□□□ UL: 2 □□□□ 4/0□

Table 1/2

| □□□ | □□ | □□□□ 1 (TS1) | □□□□ 2 (TS2) | □□□□ (TL) | □□ (D) | □□ (H) |
|-----------|-----|------------------------|------------------------|-----------|--------|--------|
| LPC435SH | □□ | 5/8" UNC | 1/2" UNC | 22.22mm | 25.4mm | 100 mm |
| LPC435LG | □□ | 5/8" UNC | 1/2" UNC | 38.1mm | 25.4mm | 100 mm |
| LPLC435SH | □□□ | 5/8" UNC | 1/2" UNC | 22.22mm | 25.4mm | 100 mm |
| LPLC435LG | □□□ | 5/8" UNC | 1/2" UNC | 38.1mm | 25.4mm | 100 mm |

Table 2/2

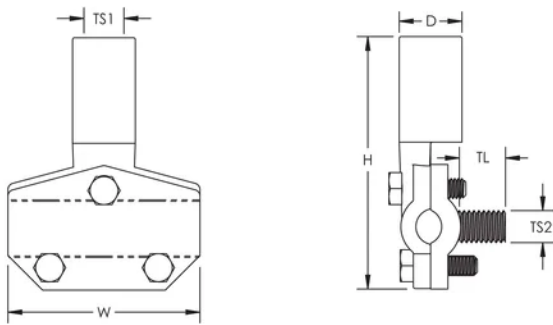
| □□□ | □□ (W) | □□□□ | □□ |
|-----|--------|------|----|
|-----|--------|------|----|

| | | | |
|-----------|---------|---------|---|
| LPC435SH | 76.2 mm | 0.54 kg | E202878-Combined_CoC, E202878-Combined_CoC |
| LPC435LG | 76.2 mm | 0.54 kg | E202878-Combined_CoC, E202878-Combined_CoC |
| LPLC435SH | 76.2 mm | 1.21 kg | |
| LPLC435LG | 76.2 mm | 1.21 kg | |

??????

???????????????? 1/16" (1.59mm)????????????????

?



??

???? nVent ????????????????? nVent ??????? www.nvent.com ????????????? nVent ????????????????????????????????? nVent
 ???/??????????????

⚠ WARNING: This product can expose you to chemicals including lead, which is known to the State of California to cause cancer and birth defects or other reproductive harm. For more information go to www.P65Warnings.ca.gov.

??
 +1.800.753.9221
 ?? 1 ??????
 ?? 2 ??????

??
 ???
 +31 800-0200135
 ???
 +33 800 901 793

??
 ???
 800 1890272
 ?????/???
 +31 13 5835404

????
 ???
 + 86 21 2412 1618/19
 ???
 +61 2 9751 8500



???????????:

CADDY ERICO HOFFMAN ILSCO SCHROFF TRACHTE