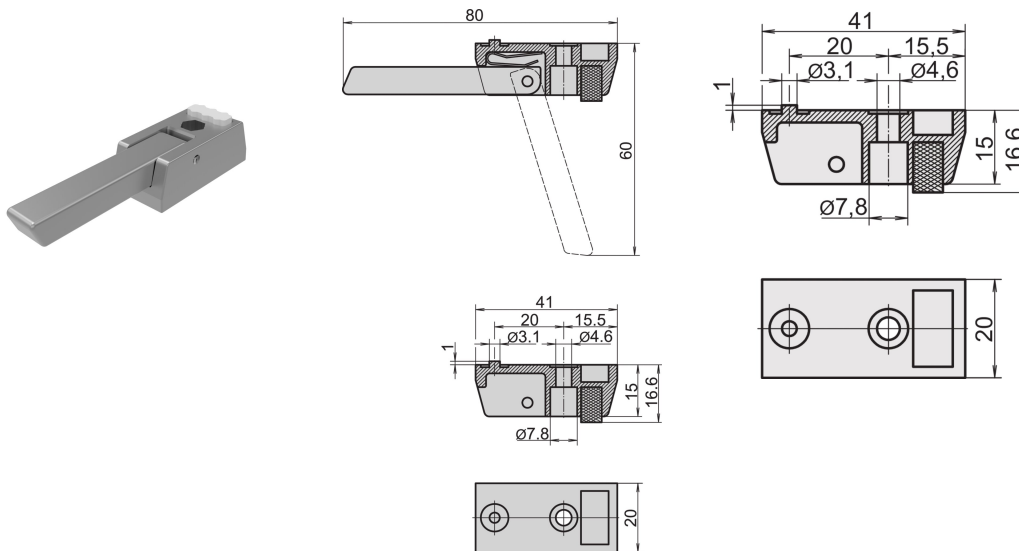




???

## 10603-002



?? RAL 9006 ?????

??



??

??????????????

??????????

??????50 ??/??, ???????40 ??

??????????

????

????: 1

?: ??

????: RAL 9006

?: ?

????: RatiopacPRO; RatiopacPRO AIR; CompacPRO; PropacPRO; Inpac

????: ??

?: ??; ?????

?: ???

Net Weight: 0.03kg

??????

????????????????????

??????????????????????5 ??10 ??50 ????????????????????? 2 ?????????????????????

??

???? nVent ????????????????? nVent ??????? www.nvent.com ??????????? nVent ????????????????????????????????? nVent  
??

**North America**  
All locations  
+1.763.422.2661  
Chat with us:  
nvent.com/schroff

**Europe**  
Straubenhardt, Germany  
+49.7082.794.0  
Betschdorf, France  
+33.3.88.90.64.90  
Warsaw, Poland  
+48.22.209.98.35  
Assago, Italy  
+39.02.932.7141  
Chat with us:  
nvent.com/schroff

**Asia**  
Shanghai, China  
+86.21.2412.6943  
Qingdao, China  
+86.532.8771.6101  
Singapore  
+65.6768.5800  
Shin-Yokohama, Japan  
+81.45.476.0271  
Chat with us:  
nvent.com/schroff

**Middle East & India**  
Dubai, United Arab  
Emirates  
+971.4.378.1700  
Bangalore, India  
+91.80.6715.2001  
Istanbul, Turkey  
+90.216.250.7374  
Chat with us:  
nvent.com/schroff



??????????:

CADDY ERICO HOFFMAN ILSCO SCHROFF TRACHTE