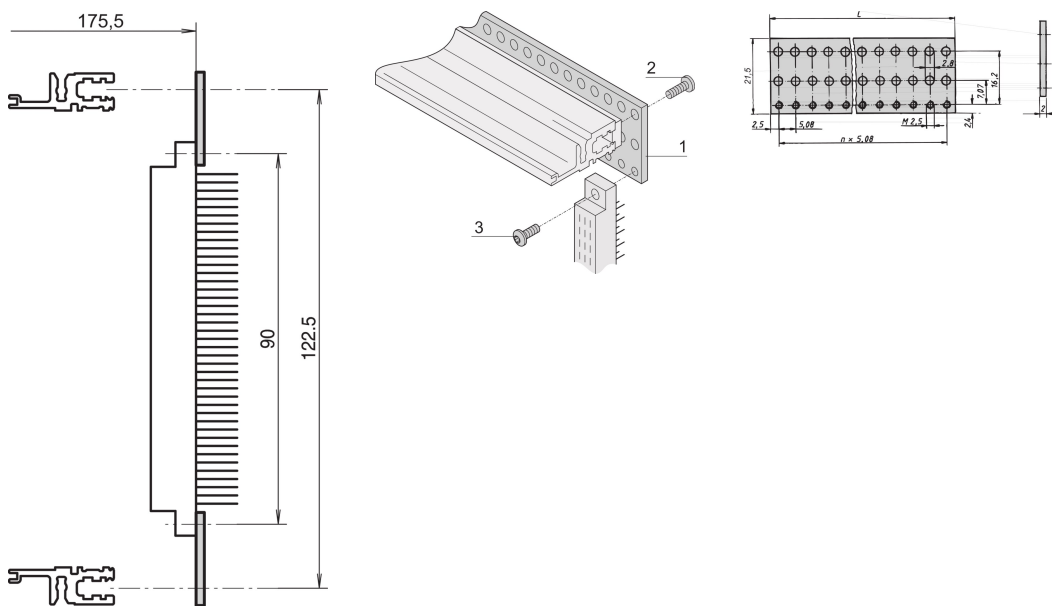


**EuroPacPRO**   
**60603-2**  **DIN 41612**  **28 HP**

**EN**

???

**20822-049**



Perforated flat rail for connector mounting i.a.w. EN 60603-2 and DIN 41612, on VT horizontal rails.

??



??

???, VT?????

????? EN 60603-2 ?????????, DIN 41612

????

????: 28HP

????: 4

?: ??

?: 142.24mm

??: ?

????: EuropacPRO; RatiopacPRO; RatiopacPRO AIR; CompacPRO; PropacPRO

????: ????

?: ??; ???

Gross Weight: 0.073kg

??????

????????????????????

??

???? nVent ?????????????????? nVent ??????? www.nvent.com ??????????? nVent ????????????????????????????????????????? nVent  
????????????????????????????????????????????????????????????????????????????????????????????????????????????????

**North America**  
All locations  
+1.763.422.2661  
Chat with us:  
nvent.com/schroff

**Europe**  
Straubenhardt, Germany  
+49.7082.794.0  
Betschdorf, France  
+33.3.88.90.64.90  
Warsaw, Poland  
+48.22.209.98.35  
Assago, Italy  
+39.02.932.7141  
Chat with us:  
nvent.com/schroff

**Asia**  
Shanghai, China  
+86.21.2412.6943  
Qingdao, China  
+86.532.8771.6101  
Singapore  
+65.6768.5800  
Shin-Yokohama, Japan  
+81.45.476.0271  
Chat with us:  
nvent.com/schroff

**Middle East & India**  
Dubai, United Arab  
Emirates  
+971.4.378.1700  
Bangalore, India  
+91.80.6715.2001  
Istanbul, Turkey  
+90.216.250.7374  
Chat with us:  
nvent.com/schroff



??????????:

CADDY ERICO HOFFMAN ILSCO SCHROFF TRACHTE