



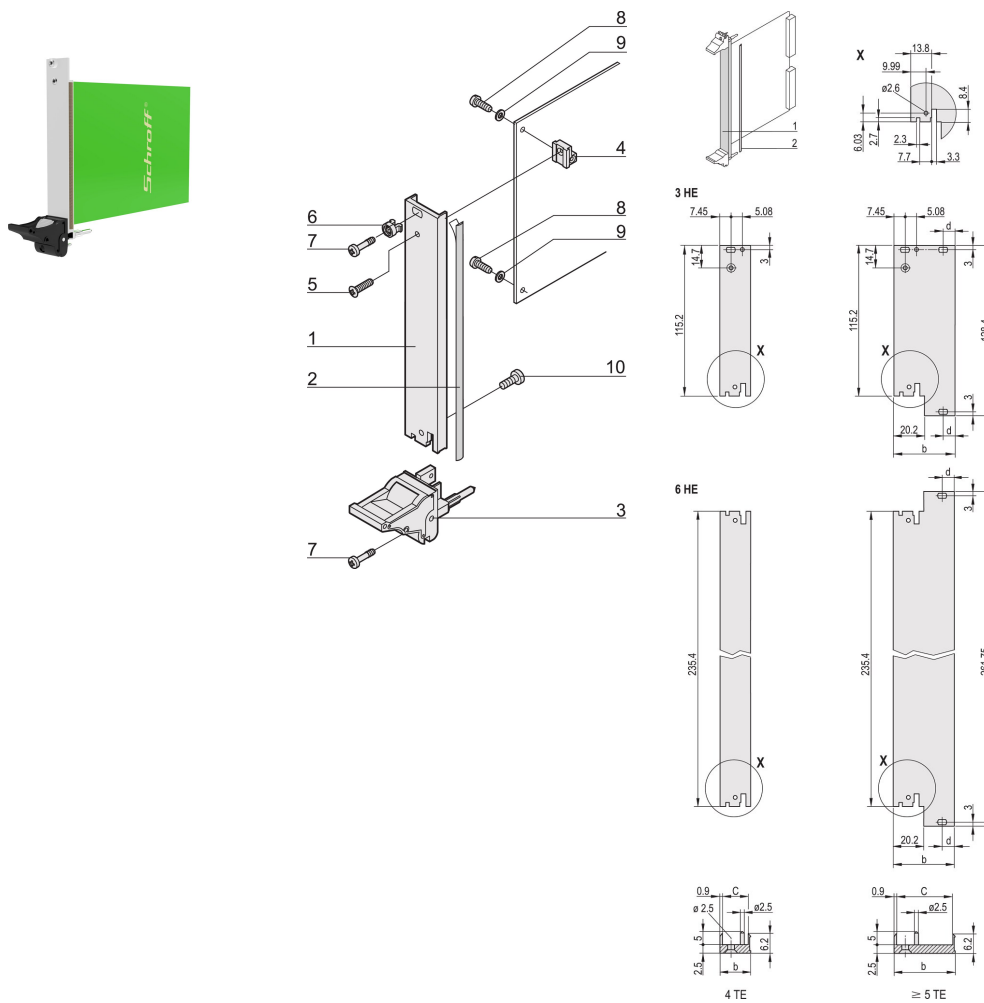
10 HP



3 U

???

20848-590



????? IEL?????????3 U?????U ????? EMC??????

??



??

?EMC?????? U ????

???? 700 N ????????????

???????

?? IEC 60297-3-103/IEEE 1101.10 ????????

????

????: 10HP

????: 1

????: IEL

?: ??????

????: ?? EMC

?????: ????

?????: ??

????: ?

?: IEC 60297-3-102; IEEE 1101.10; IEC 60297-3-103; IEEE 1101.1/11

EMC ??: ?

?: ?????; ??

?? (H): 128.4mm

?: ?

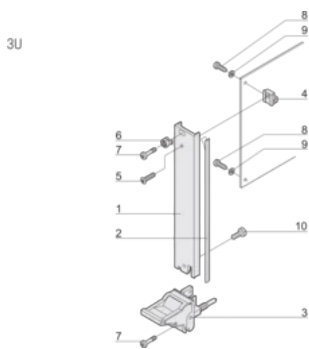
????: ???

????: 3U

?: ??????? (PIU)

?? (W): 50.5mm

?



??

???? nVent ?????????????????? nVent ??????? www.nvent.com ?????????????? nVent ??? nVent
??/??????????????

North America
All locations
+1.763.422.2661
Chat with us:
nvent.com/schroff

Europe
Straubenhardt, Germany
+49.7082.794.0
Betschdorf, France
+33.3.88.90.64.90
Warsaw, Poland
+48.22.209.98.35
Assago, Italy
+39.02.932.7141
Chat with us:
nvent.com/schroff

Asia
Shanghai, China
+86.21.2412.6943
Qingdao, China
+86.532.8771.6101
Singapore
+65.6768.5800
Shin-Yokohama, Japan
+81.45.476.0271
Chat with us:
nvent.com/schroff

Middle East & India
Dubai, United Arab
Emirates
+971.4.378.1700
Bangalore, India
+91.80.6715.2001
Istanbul, Turkey
+90.216.250.7374
Chat with us:
nvent.com/schroff



?????????:

CADDY ERICO HOFFMAN ILSCO SCHROFF TRACHTE