



IEL

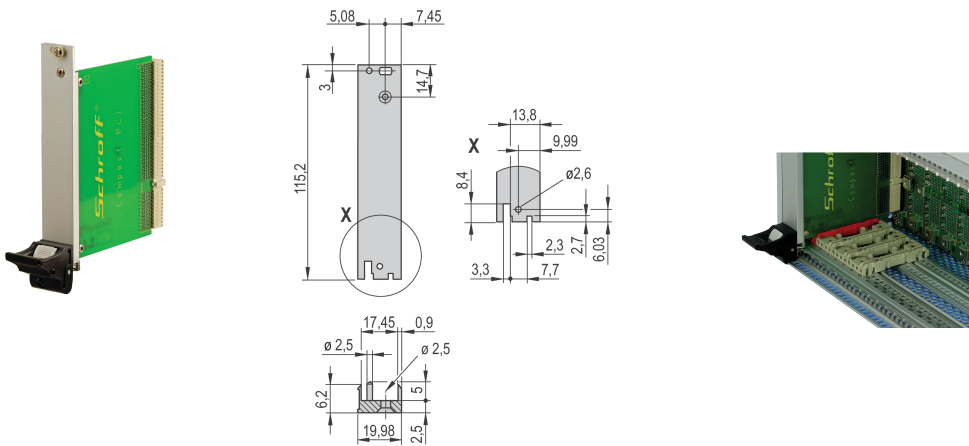
I/O



3 U 4 HP

???

20848-751



????? IEL ???/?????????3 U??? I/O ???U ????? EMC??????

??



??

?EMC???????? U ????

????? 700 N ???????????????

????????

??? IEC 60297-3-103/IEEE 1101.10 ???????

????

????: 4HP

????: 1

????: IEL

?: ?????? IO

????: ?? EMC

?????: ????

?????: ??

????: ?

?: IEC 60297-3-102; IEEE 1101.10; IEC 60297-3-103; IEEE 1101.1/11

EMC ??: ?

?: ????; ??

?? (H): 128.4mm

?: ?

????: ???

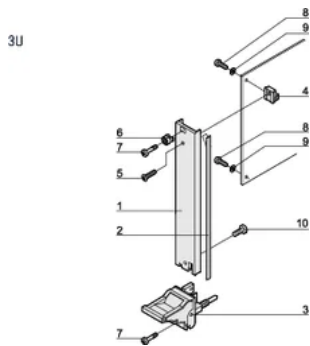
????: 3U

?: ?????? (PIU)

?? (W): 20mm

Net Weight: 0.08kg

?



??

???? nVent ?????????????????? nVent ??????? www.nvent.com ??????????? nVent ??? nVent ???/?????????????

North America
 All locations
 +1.763.422.2661
 Chat with us:
 nvent.com/schroff

Europe
 Straubenhardt, Germany
 +49.7082.794.0
 Betschdorf, France
 +33.3.88.90.64.90
 Warsaw, Poland
 +48.22.209.98.35
 Assago, Italy
 +39.02.932.7141
 Chat with us:
 nvent.com/schroff

Asia
 Shanghai, China
 +86.21.2412.6943
 Qingdao, China
 +86.532.8771.6101
 Singapore
 +65.6768.5800
 Shin-Yokohama, Japan
 +81.45.476.0271
 Chat with us:
 nvent.com/schroff

Middle East & India
 Dubai, United Arab
 Emirates
 +971.4.378.1700
 Bangalore, India
 +91.80.6715.2001
 Istanbul, Turkey
 +90.216.250.7374
 Chat with us:
 nvent.com/schroff



?????????:
 CADDY ERICO HOFFMAN ILSCO SCHROFF TRACHTE