

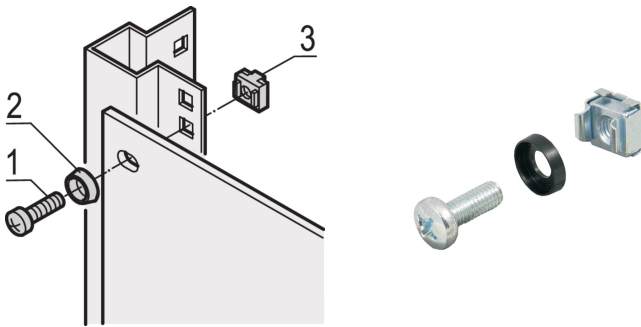
19

M6

100

???

21101-810



????????????????????????????????

? 19" ????? 19" ?????????????????????

??



??

?????? 19 ???????????

??????, ?????????, ?????????????????????

????

????: 100

????: M6

?: ??

?: ?; ABS

????: RatiopacPRO; RatiopacPRO AIR; CompacPRO; PropacPRO; Comptec; Inpac; MultipacPRO; Varistar CP; Novastar; Eurorack; ??

????: ????

?: ????

?: 19" ???; 19" ?????; 19" ?????; 19" ????

Net Weight: 1.076kg

??

??? nVent ?????????????? nVent ?????? www.nvent.com ?????????? nVent ?????????????????????????????? nVent
??

North America
All locations
+1.763.422.2661
Chat with us:
nvent.com/schroff

Europe
Straubenhardt, Germany
+49.7082.794.0
Betschdorf, France
+33.3.88.90.64.90
Warsaw, Poland
+48.22.209.98.35
Assago, Italy
+39.02.932.7141
Chat with us:
nvent.com/schroff

Asia
Shanghai, China
+86.21.2412.6943
Qingdao, China
+86.532.8771.6101
Singapore
+65.6768.5800
Shin-Yokohama, Japan
+81.45.476.0271
Chat with us:
nvent.com/schroff

Middle East & India
Dubai, United Arab
Emirates
+971.4.378.1700
Bangalore, India
+91.80.6715.2001
Istanbul, Turkey
+90.216.250.7374
Chat with us:
nvent.com/schroff



??????????:

CADDY ERICO HOFFMAN ILSCO SCHROFF TRACHTE