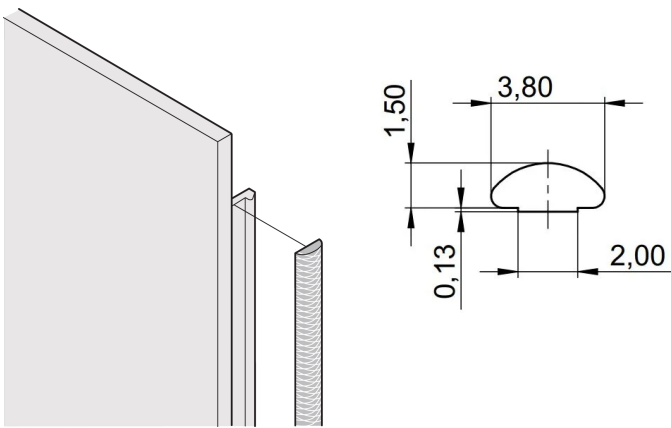


# Front Panel EMC Textile Shielding Kit, -40...+70°C, 6 U, 10□

???

## 21101-855



?? EMC ?????? U ?????????????????????

??



??

EMC????????????????????????????????

???????????? 19" ??????????????U ?????????

???? - 40 °C ... +70 °C

????

????: 6U

????: 10

?? (D): 1.62mm

?? (H): 232mm

?: ???????

????: EuropacPRO; RatiopacPRO; RatiopacPRO AIR; PropacPRO; ???????

????: ????

?? (W): 3.8mm

?: ?; ??: ??

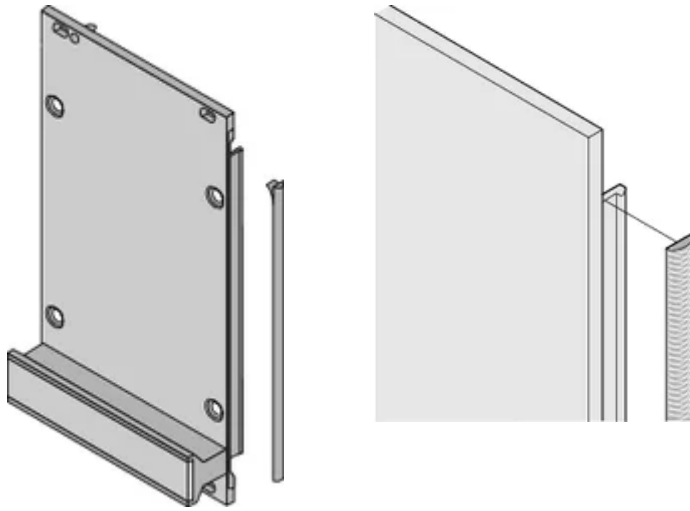
?????: UL® 94V-0

Gross Weight: 0.092kg

??????

?? EMC ??????????????????

?



??

???? nVent ?????????????????? nVent ??????? www.nvent.com ?????????????? nVent ??? nVent  
??

**North America**  
 All locations  
 +1.763.422.2661  
 Chat with us:  
 nvent.com/schroff

**Europe**  
 Straubenhardt, Germany  
 +49.7082.794.0  
 Betschdorf, France  
 +33.3.88.90.64.90  
 Warsaw, Poland  
 +48.22.209.98.35  
 Assago, Italy  
 +39.02.932.7141  
 Chat with us:  
 nvent.com/schroff

**Asia**  
 Shanghai, China  
 +86.21.2412.6943  
 Qingdao, China  
 +86.532.8771.6101  
 Singapore  
 +65.6768.5800  
 Shin-Yokohama, Japan  
 +81.45.476.0271  
 Chat with us:  
 nvent.com/schroff

**Middle East & India**  
 Dubai, United Arab  
 Emirates  
 +971.4.378.1700  
 Bangalore, India  
 +91.80.6715.2001  
 Istanbul, Turkey  
 +90.216.250.7374  
 Chat with us:  
 nvent.com/schroff



??????????:

CADDY ERICO HOFFMAN ILSCO SCHROFF TRACHTE