

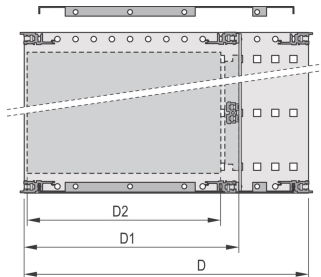
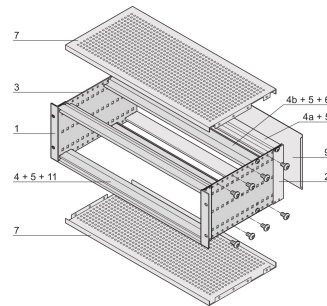
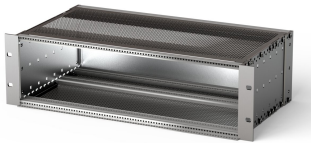


# EuropacPRO 19

## 3 U 355 mm

???

**24563-144**



??????? EMC p????????????????

??



??

? F ??“??”?????, ??? 19 ???, ??? 19" ??????????????????

?????????

????????????????

1 GHz ??EMC????? 40 dB, 2 GHz ??? 30 dB, ??????????????, ????? VG 95373 ? 15 ??

IP 20??? IEC 60529

???

?????????IEC 60297-3-100, -101, IEEE 1101.1



**North America**  
All locations  
+1.763.422.2661  
Chat with us:  
[nvent.com/schroff](https://nvent.com/schroff)

**Europe**  
Straubenhardt, Germany  
+49.7082.794.0  
Betschdorf, France  
+33.3.88.90.64.90  
Warsaw, Poland  
+48.22.209.98.35  
Assago, Italy  
+39.02.932.7141  
Chat with us:  
[nvent.com/schroff](https://nvent.com/schroff)

**Asia**  
Shanghai, China  
+86.21.2412.6943  
Qingdao, China  
+86.532.8771.6101  
Singapore  
+65.6768.5800  
Shin-Yokohama, Japan  
+81.45.476.0271  
Chat with us:  
[nvent.com/schroff](https://nvent.com/schroff)

**Middle East & India**  
Dubai, United Arab  
Emirates  
+971.4.378.1700  
Bangalore, India  
+91.80.6715.2001  
Istanbul, Turkey  
+90.216.250.7374  
Chat with us:  
[nvent.com/schroff](https://nvent.com/schroff)



?????????:

CADDY ERICO HOFFMAN ILSCO SCHROFF TRACHTE