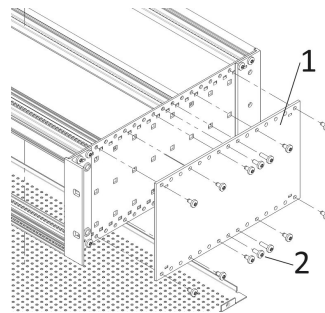
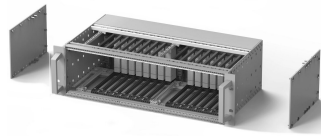


EuropacPRO Advanced EMC

4 U 295 mm

???

24563-267



Aluminium Side panel 3mm to increase the EMC shielding effect of the subrack by covering the not needed cut-outs.

??



??

????????????????????

???????????

??????

????

????: 4U

?: 295mm

????: 2

EMC ??: ?

?: ??

?: 295mm

?: ?

????: EuropacPRO

????: ???

??: H ?

?: ??

????: ?

??????

??? 19 ???Tox ???toxen = ?????????????????????????????????

????? 9 U ???

??

??? nVent ????????????????? nVent ?????? www.nvent.com ?????????? nVent ????????????????????????????????? nVent
??/????????????

North America
All locations
+1.763.422.2661
Chat with us:
nvent.com/schroff

Europe
Straubenhardt, Germany
+49.7082.794.0
Betschdorf, France
+33.3.88.90.64.90
Warsaw, Poland
+48.22.209.98.35
Assago, Italy
+39.02.932.7141
Chat with us:
nvent.com/schroff

Asia
Shanghai, China
+86.21.2412.6943
Qingdao, China
+86.532.8771.6101
Singapore
+65.6768.5800
Shin-Yokohama, Japan
+81.45.476.0271
Chat with us:
nvent.com/schroff

Middle East & India
Dubai, United Arab
Emirates
+971.4.378.1700
Bangalore, India
+91.80.6715.2001
Istanbul, Turkey
+90.216.250.7374
Chat with us:
nvent.com/schroff



??????????:

CADDY ERICO HOFFMAN ILSCO SCHROFF TRACHTE