



PC

280 mm

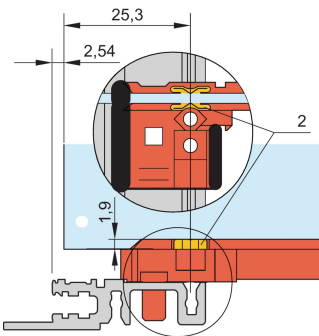
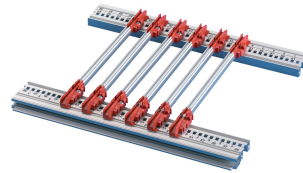
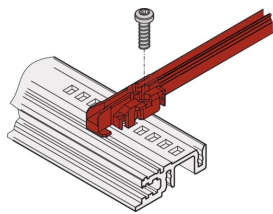
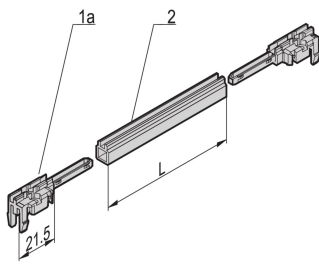


/

10

???

24568-381



New generation of accessory type guide rails for PCBs or plug-in units. Forms a reliable interface between the subrack mechanics and the sub-assemblies.

??



??

???????????????? PCB ??????????

???????, ????????????????? (PC)

?????????, ?? EN 45545-2 ?? R22, R23 ? R24 ?????????? HL3

“????”, ?? IEC 61249-2-21 ??

???????????????????? 1.5 mm???

