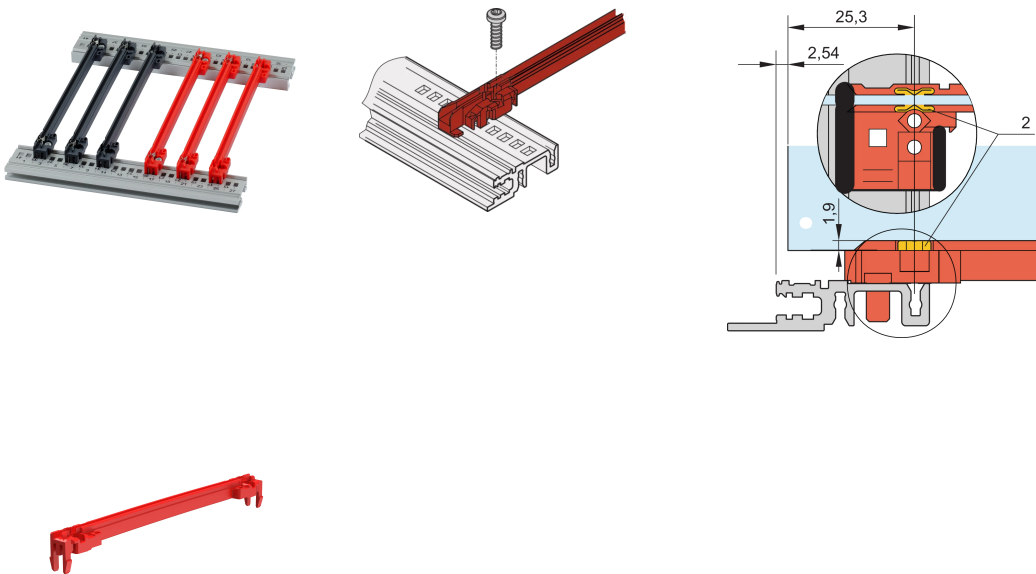


PC 160 mm 2 mm

???

64568-005



New generation of accessory type guide rails for PCBs or plug-in units. Forms a reliable interface between the subrack mechanics and the sub-assemblies.

??



??

????????????? PCB ??????????

????????, ?????????????? (PC)

????????, ?? EN 45545-2 ?? R22, R23 ? R24 ????????? HL3

“????”, ?? IEC 61249-2-21 ??

???????????????????? 1.5 mm???

????????? H ?? R ?????????????????????

?? ESD ??? PCB ????????????

????? -40 °C.. 130 °C

????

?: ??

?: ???????

????: 1

?: 160mm

?: 2

?: EN 45545-2

????: EuropacPRO; RatiopacPRO; RatiopacPRO AIR; CompacPRO; PropacPRO; MultipacPRO; Inpac

????: ??

?: ??

?: ??; ???; 19" ??; ??

??????

??????????????????????????????5 ?10 ?50 ?????????????????????? 2 ???????????????????????????

??

???? nVent ?????????????????? nVent ??????? www.nvent.com ??????????? nVent ?????????????????????????????????????? nVent
??/?????????????

North America
All locations
+1.763.422.2661
Chat with us:
nvent.com/schroff

Europe
Straubenhardt, Germany
+49.7082.794.0
Betschdorf, France
+33.3.88.90.64.90
Warsaw, Poland
+48.22.209.98.35
Assago, Italy
+39.02.932.7141
Chat with us:
nvent.com/schroff

Asia
Shanghai, China
+86.21.2412.6943
Qingdao, China
+86.532.8771.6101
Singapore
+65.6768.5800
Shin-Yokohama, Japan
+81.45.476.0271
Chat with us:
nvent.com/schroff

Middle East & India
Dubai, United Arab
Emirates
+971.4.378.1700
Bangalore, India
+91.80.6715.2001
Istanbul, Turkey
+90.216.250.7374
Chat with us:
nvent.com/schroff



?????????:
CADDY ERICO HOFFMAN ILSCO SCHROFF TRACHTE