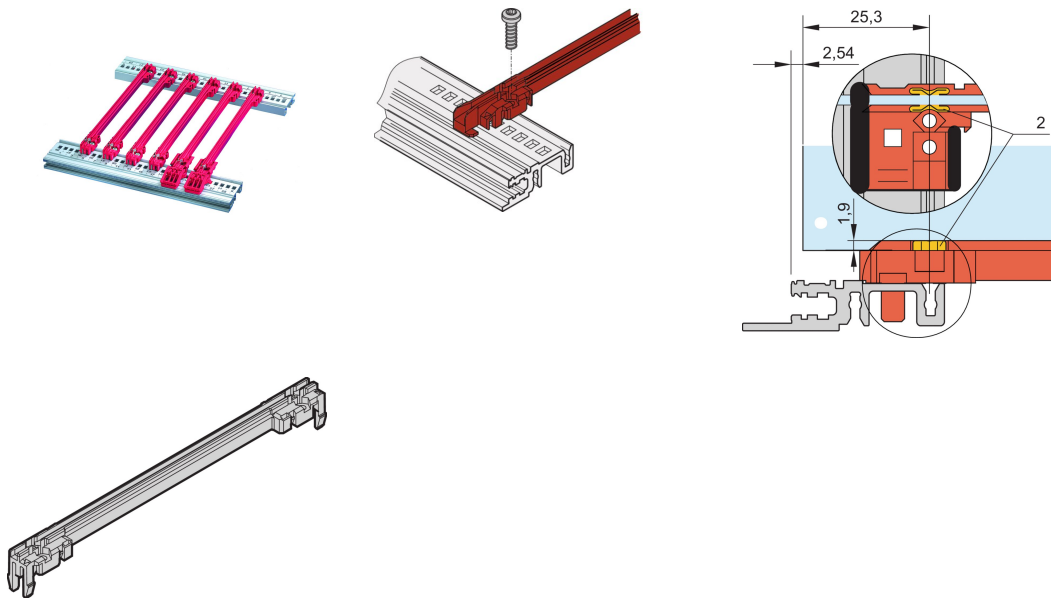


100 mm □ 2 mm

???

64568-082



The plastic guide rail for PCBs or plug-in units of the Accessory type, forms a reliable interface between the subrack mechanics and the sub- assemblies. The guide rails can additionally be bolted to the horizontal

??



??

????, ???

???????????????????? 1.5 mm ????

????-40 °C ... 130 °C

?? ESD ????????????????????? PCB ??????????????

????

????: ??

