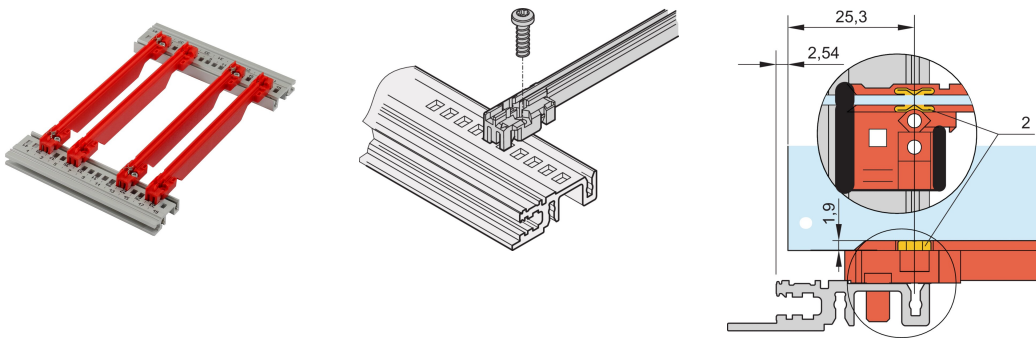




PC 220 mm 2.5

???

64568-119



PCB Which means the material ensures a low flammability, low smoke toxicity and density and fulfills the EN 45545-2 (Fire Safety in Railway Vehicle) requirements sets R22, R23 and R24 with the highest hazard level HL3. IEC 61249- 2-21

??



??

PCB

PC, ,

EN 45545-2 R22, R23 R24 HL3

IEC 61249-2-21

1.5 mm

H R

ESD PCB

-40 °C.. 130 °C

???

???: 1

???: 220mm

