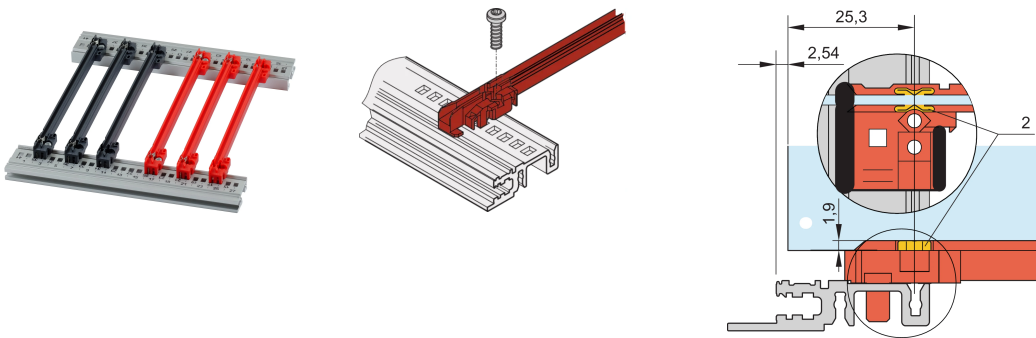


PC 220 mm 2 mm

???

64568-166



New generation of accessory type guide rails for PCBs or plug-in units. Forms a reliable interface between the subrack mechanics and the sub-assemblies.

??



??

???????????????? PCB ??????????

????????, ????????????????? (PC)

????????, ?? EN 45545-2 ?? R22, R23 ? R24 ????????? HL3

“????”, ?? IEC 61249-2-21 ??

???????????????????? 1.5 mm???

?????????? H ?? R ?????????????????????????

?? ESD ??? PCB ????????????????

?????? -40 °C.. 130 °C

????

?: ??

?: ????????

????: 1

