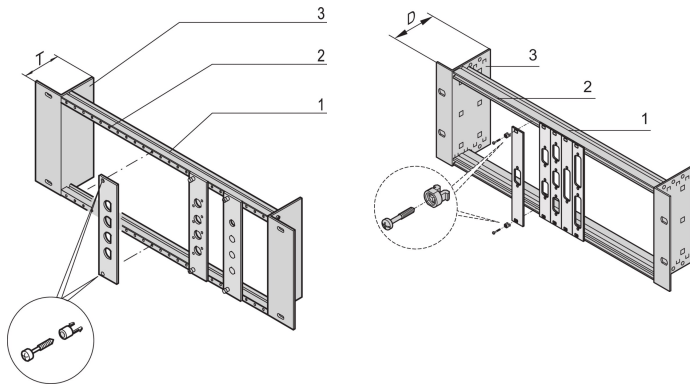


19

Data Solutions

???

20118-630



?? SUB-D-ST 3 ? FDDI ???

??



??

???? SUB-D-ST 3 ?? FDDI ???????????

???? Al, 2,5 mm, RAL 7035

????????????????????????????

????

?: ?

?: ???

????: 1

????: ????

Net Weight: 0.53kg

??????

??????/????????????????

????? 19" ?????

??

???? nVent ?????????????????? nVent ??????? www.nvent.com ??????????? nVent ??? nVent
??



???????????:

CADDY ERICO HOFFMAN ILSCO SCHROFF TRACHTE