

Varistar CP

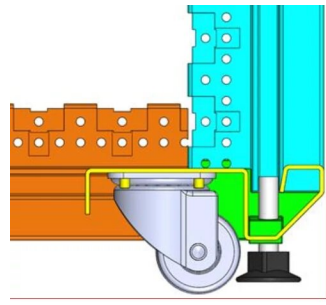
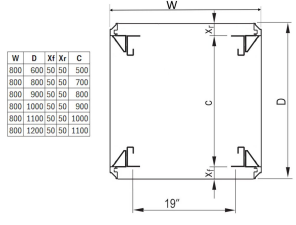
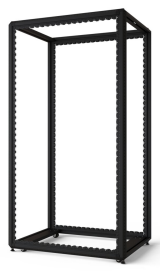
2000H 800W 1100D

42 U

Data Solutions

???

20630-237



????????? Varistar ?????????? 19" ETSI ??????????????????

??

??, ??????, ??, RAL 7021

????

????: 42U

?: 2000mm

?: 800mm

?: 1100mm

????: 1

?: ???

????: RAL 7021

?: IEC 61587-1; IEC 61587-3

????: 1000kg

????: ?

?: ?

????: Varistar CP

????: ??/????

????: 1600kg

?: ??

?: Varistar CP

Net Weight: 43.73kg

??

???? nVent ?????????????????? nVent ??????? www.nvent.com ?????????? nVent ?????????????????????????????????????? nVent
??/?????????????



???????????:

CADDY ERICO HOFFMAN ILSCO SCHROFF TRACHTE