

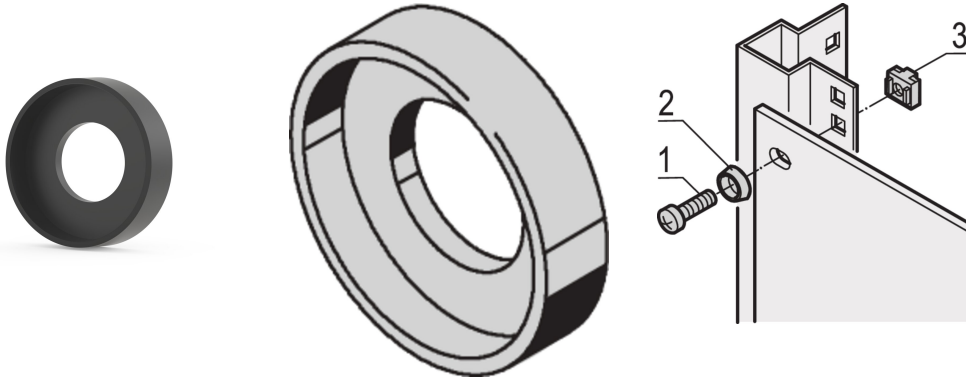


M6 50

## Data Solutions

???

**21100-015**



???? PCB ????

??



??

??

????

?: ABS

????: 50

????: ????

????: RatiopacPRO; RatiopacPRO AIR; CompacPRO; PropacPRO; Comptec; Inpac; MultipacPRO

????: ??

?: ??

?: ???; Eurorack; Novastar; Varistar; Varistar CP

??????

IEEE ?????? (3U/6U)

?????? 2 ?????? (3U/6U)

??

??? nVent ?????????????? nVent ?????? www.nvent.com ?????????? nVent ??? nVent  
??



??????????:

CADDY ERICO HOFFMAN ILSCO SCHROFF TRACHTE