

UTE 

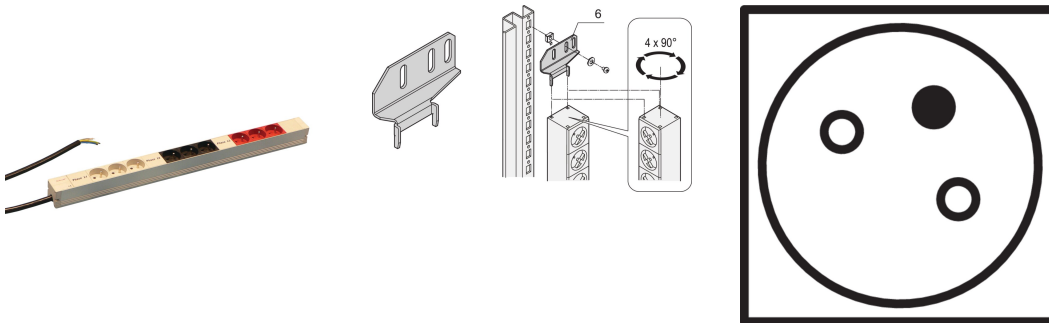
3 

9 

## Data Solutions

???

**60110-233**



?????? PDU????????PDU ?? 1 U x 1 U ?????????? UTE ???????

??



??

???? 2 ?, ??????

????????????????90°???

? UTE ?????, 3 ?

3 ?, ?? 16 A

?? NFC 61-303 ??

????

???? 1 U

????

????: ??

????: UTE

????: 9

?: ??; ??; ??

????: ?

?: 608.5mm

????: 230V

?: 44mm

?: ????

?: ?; ???

Net Weight: 1.64kg

????: 1

??????

????????????

??

???? nVent ????????????????? nVent ??????? www.nvent.com ????????????? nVent ??? nVent  
??/????????????



??????????:

CADDY ERICO HOFFMAN ILSCO SCHROFF TRACHTE