



??



??

????????????????????

????????????????

????

□□ : □□
 □□□□ UL: 2 □□□□ 4/0□

Table 1/2

□□□	□□	□□□□ 1 (TS1)	□□□□ 2 (TS2)	□□□□ (TL)	□□ (D)	□□ (H)
LPC435SH	□□	5/8" UNC	1/2" UNC	22.22mm	25.4mm	100 mm
LPC435LG	□□	5/8" UNC	1/2" UNC	38.1mm	25.4mm	100 mm
LPLC435SH	□□□	5/8" UNC	1/2" UNC	22.22mm	25.4mm	100 mm
LPLC435LG	□□□	5/8" UNC	1/2" UNC	38.1mm	25.4mm	100 mm

Table 2/2

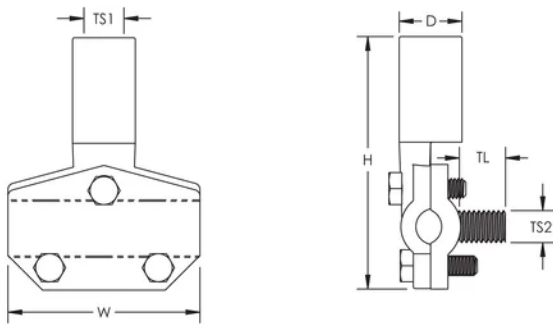
□□□	□□ (W)	□□□□	□□
-----	--------	------	----

LPC435SH	76.2 mm	0.54 kg	E202878-Combined_CoC, E202878-Combined_CoC
LPC435LG	76.2 mm	0.54 kg	E202878-Combined_CoC, E202878-Combined_CoC
LPLC435SH	76.2 mm	1.21 kg	
LPLC435LG	76.2 mm	1.21 kg	

??????

???????????????? 1/16" (1.59mm)????????????????

?



??

???? nVent ????????????????? nVent ??????? www.nvent.com ????????????? nVent ????????????????????????????????? nVent
 ???/??????????????

??
 +1.800.753.9221
 ?? 1 ?????
 ?? 2 ?????

??
 ???
 +31 800-0200135
 ???
 +33 800 901 793

??
 ???
 800 1890272
 ?????/???
 +31 13 5835404

????
 ???
 + 86 21 2412 1618/19
 ???
 +61 2 9751 8500



??????????:

CADDY ERICO HOFFMAN ILSCO SCHROFF TRACHTE