



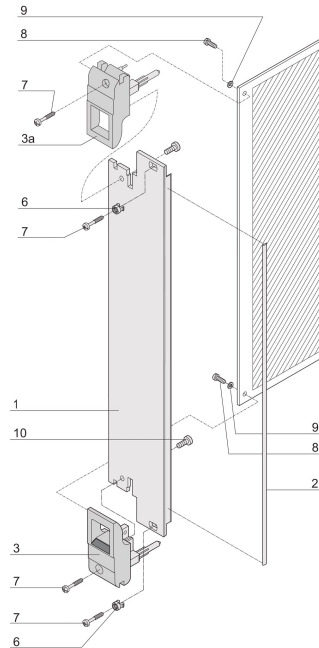
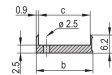
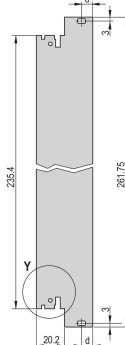
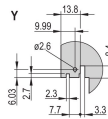
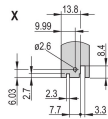
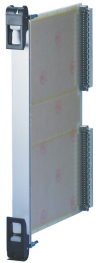
IET

6

U 12 HP

???

20848-768



???? IET ???/??????????3 U?????U ????? EMC??????

??



??

?EMC???????? U ?????

????? 700 N ???????????????

?????????

??? IEC 60297-3-103/IEEE 1101.10 ????????

????

?????: 12HP

????: 1

????: IET

?: ??????

????: ?? EMC

?????: ????

?????: ??

????: ?

?: IEC 60297-3-102; IEEE 1101.10; IEC 60297-3-103; IEEE 1101.1/11

EMC ??: ?

?: ?????; ??

?: 261.8mm

?: ?

????: ???

????: 6U

?: ??????? (PIU)

?: 60.6mm

Net Weight: 0.021kg

??

???? nVent ?????????????????? nVent ??????? www.nvent.com ?????????????? nVent ?????????????????????????????????????? nVent
??

North America
All locations
+1.763.422.2661
Chat with us:
nvent.com/schroff

Europe
Straubenhardt, Germany
+49.7082.794.0
Betschdorf, France
+33.3.88.90.64.90
Warsaw, Poland
+48.22.209.98.35
Assago, Italy
+39.02.932.7141
Chat with us:
nvent.com/schroff

Asia
Shanghai, China
+86.21.2412.6943
Qingdao, China
+86.532.8771.6101
Singapore
+65.6768.5800
Shin-Yokohama, Japan
+81.45.476.0271
Chat with us:
nvent.com/schroff

Middle East & India
Dubai, United Arab
Emirates
+971.4.378.1700
Bangalore, India
+91.80.6715.2001
Istanbul, Turkey
+90.216.250.7374
Chat with us:
nvent.com/schroff



??????????:

CADDY ERICO HOFFMAN ILSCO SCHROFF TRACHTE