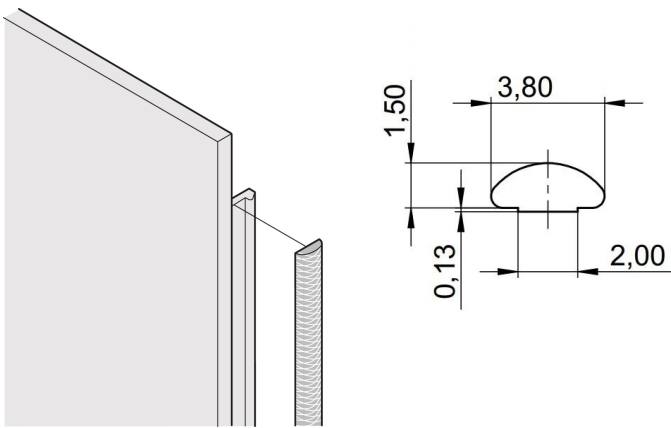


Front Panel EMC Textile Shielding Kit, -40...+70°C, 6 U, 10□

???

21101-855



?? EMC ?????? U ?????????????????????

??



??

EMC????????????????????????????????

???????????? 19" ??????????????????U ?????????

???? - 40 °C ... +70 °C

????

????: 6U

????: 10

?? (D): 1.62mm

?? (H): 232mm

?: ???????

????: EuropacPRO; RatiopacPRO; RatiopacPRO AIR; PropacPRO; ???????

????: ????

?? (W): 3.8mm

?: ?; ?; ?

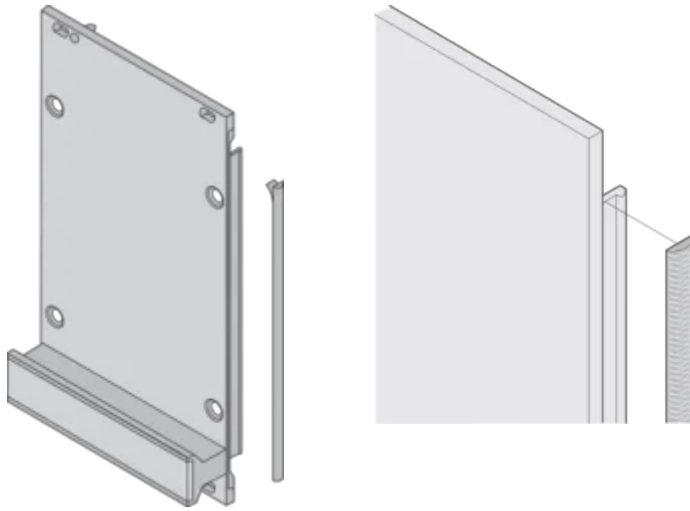
????: UL® 94V-0

Gross Weight: 0.092kg

?????

?? EMC ??????????????????

?



??

???? nVent ?????????????????? nVent ?????? www.nvent.com ?????????????? nVent ??? nVent
??/?????????????

North America
All locations
+1.763.422.2661
Chat with us:
nvent.com/schroff

Europe
Straubenhardt, Germany
+49.7082.794.0
Betschdorf, France
+33.3.88.90.64.90
Warsaw, Poland
+48.22.209.98.35
Assago, Italy
+39.02.932.7141
Chat with us:
nvent.com/schroff

Asia
Shanghai, China
+86.21.2412.6943
Qingdao, China
+86.532.8771.6101
Singapore
+65.6768.5800
Shin-Yokohama, Japan
+81.45.476.0271
Chat with us:
nvent.com/schroff

Middle East & India
Dubai, United Arab
Emirates
+971.4.378.1700
Bangalore, India
+91.80.6715.2001
Istanbul, Turkey
+90.216.250.7374
Chat with us:
nvent.com/schroff



??????????:

CADDY ERICO HOFFMAN ILSCO SCHROFF TRACHTE